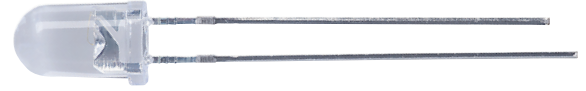


## Features:

- High power LEDs
- 5mm standard directivity
- Superior weather-resistance
- UV Resistant epoxy
- White clear type



## Absolute maximum rating (Ta=25°C)

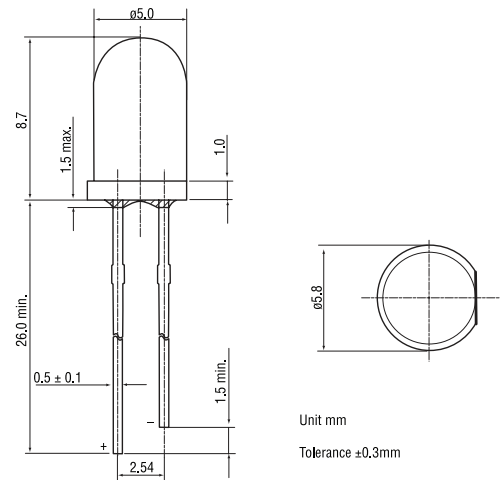
| Item                   | Symbol    | Value       | Unit |
|------------------------|-----------|-------------|------|
| DC Forward current     | $I_F$     | 30          | mA   |
| Pulse forward current* | $I_{FP}$  | 100*        | mA   |
| Reverse voltage        | $V_R$     | 5           | V    |
| Power dissipation      | $P_D$     | 120         | mW   |
| Operating temperature  | $T_{opr}$ | -30 to +80  | °C   |
| Storage temperature    | $T_{stg}$ | -30 to +100 | °C   |

\*Pulse width max. 10ms. Duty ratio max. 1/10.

## Electrical - Optical characteristics (Ta=25°C)

| Item                     | Symbol          | Condition           | Min. | Typ. | Max. | Unit          |
|--------------------------|-----------------|---------------------|------|------|------|---------------|
| DC Forward voltage       | $V_F$           | $I_F = 20\text{mA}$ |      | 3.4  | 4.0  | V             |
| DC Reverse current       | $I_R$           | $V_R = 5\text{V}$   |      | <10  |      | $\mu\text{A}$ |
| Chromaticity coordinates | x               | $I_F = 20\text{mA}$ |      | 0.40 |      |               |
|                          | y               | $I_F = 20\text{mA}$ |      | 0.20 |      |               |
| Luminous intensity       | $I_v$           | $I_F = 20\text{mA}$ |      | 2500 | 5000 | mcd           |
| 50% Power angle          | $2\theta_{1/2}$ | $I_F = 20\text{mA}$ |      | 15   |      | deg           |

## Outline dimensions:



## Directivity:

