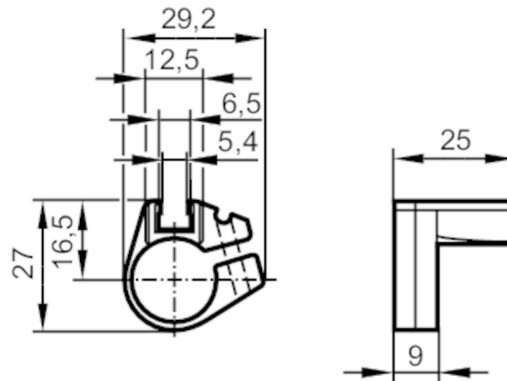


E11958



Clean-line cylinder mounting clamp for cylinder sensors

CLAMP FOR CLEAN LINE CYL D16



Application

Design for types MKT

Operating conditions

Ambient temperature [°C] 0...50

Mechanical data

Weight [g] 8.3
Materials POM; fixture: aluminium; screw: stainless steel
Tightening torque [Nm] 0.5; (Mounting screw)
Piston diameter [mm] 16

Accessories

Accessories (supplied) socket head screws: 1 x SW2,5

Remarks

Pack quantity 1 pcs.

Diagrams and graphs

Installation

