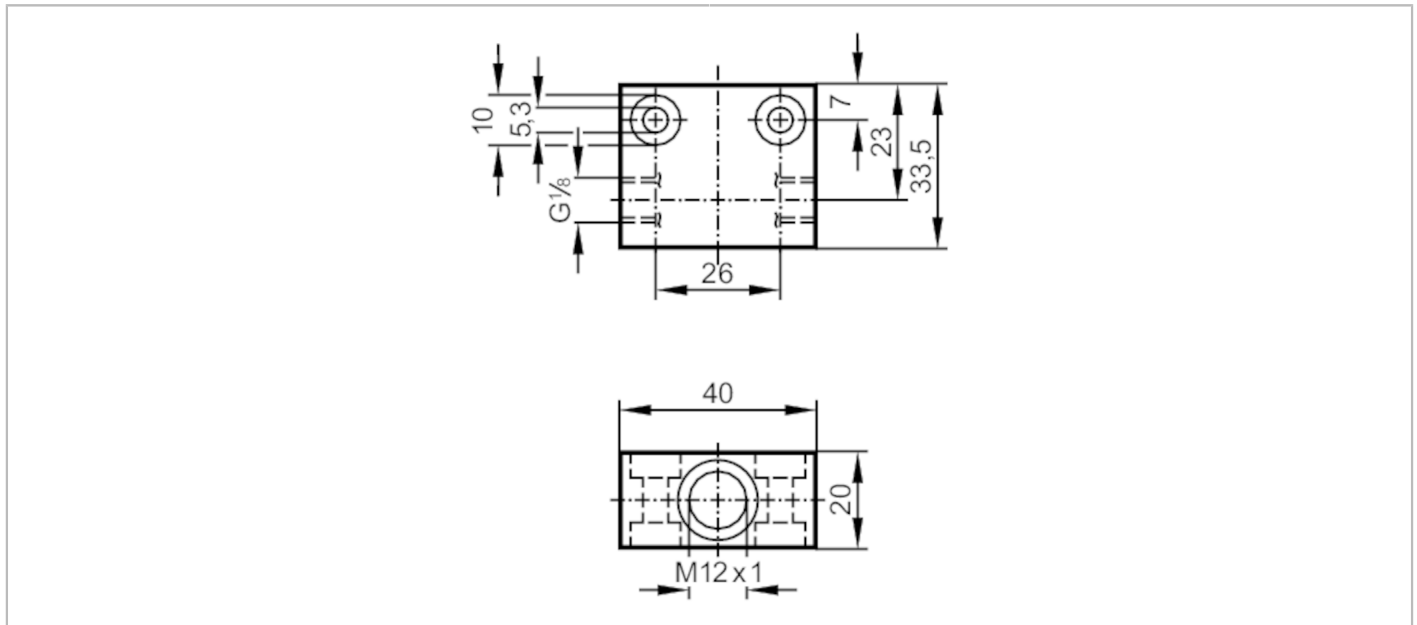


E40129



Process adapter for small volumetric flow quantities

FLOW ADAPT SI



Application	
Design	for flow sensors and flow monitors mit_Adapter_singular
Application	for industrial applications
Installation	via internal G1/8A male thread, any mounting position
Media	liquids and gases
Medium temperature [°C]	0...80; (Temperature gradient: 1 K/min)
Pressure rating [bar]	300
Measuring/setting range	
Flow range [ml/min]	2...100
Tests / approvals	
Pressure Equipment Directive	A possible classification to PED depends on the application and has to be carried out by the user / operator.
Safety instructions	The compatibility between medium and product material has to be checked in all applications.
Mechanical data	
Weight [g]	156.5
Dimensions [mm]	M12 x 1
Thread designation	M12 x 1
Materials	stainless steel (1.4404 / 316L)
Sensor connection	M12 x 1
Process connection	G 1/8
Accessories	
Accessories (supplied)	sealings: 1, U-seal
Accessories (optional)	Adapter: ≤ 30 bar, E40101
	Adapter: ≤ 300 bar, E40236
Remarks	
Pack quantity	1 pcs.