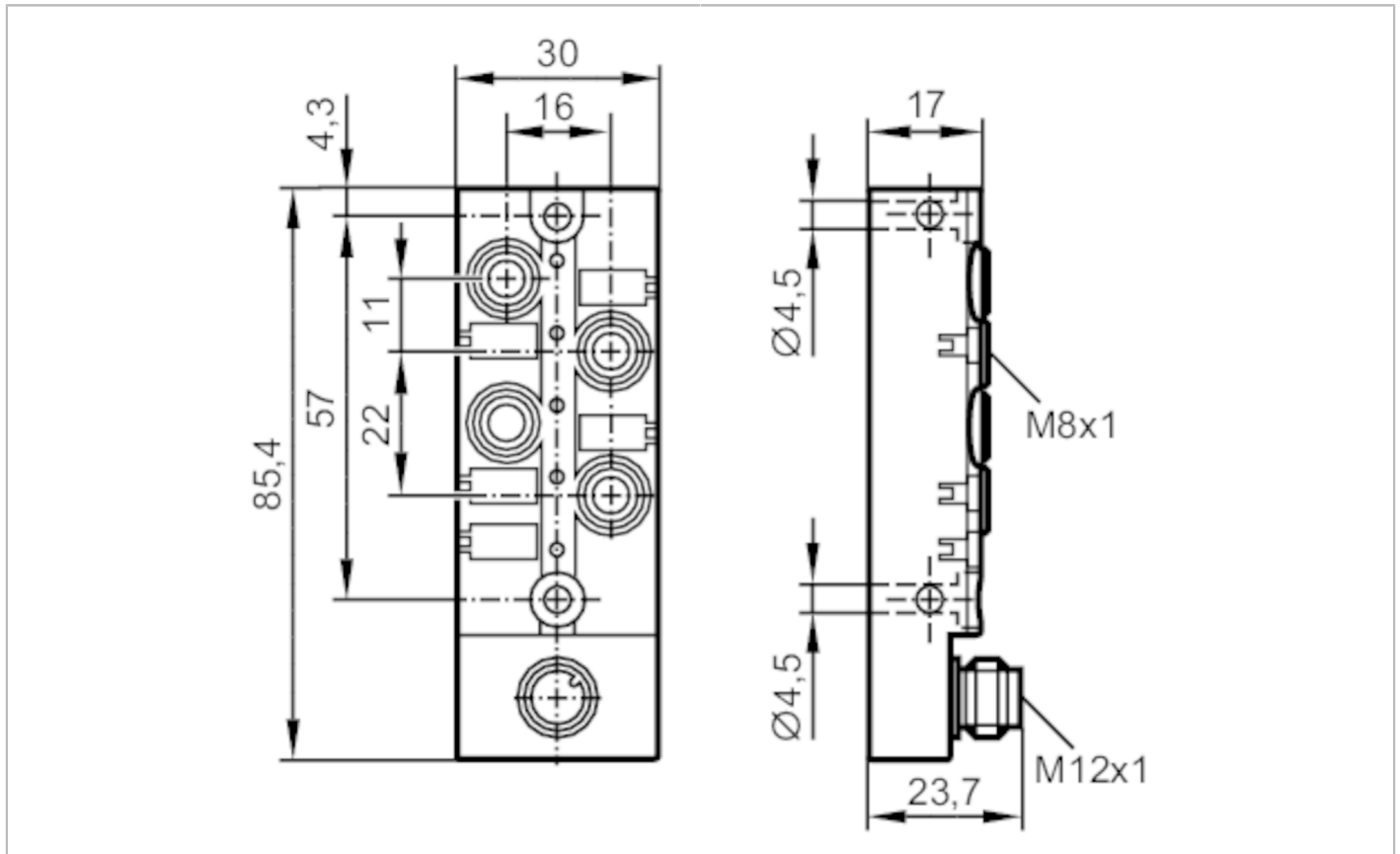


# EBC050



## Splitter box

ZDO4F035MSS0000---STGH080MSS



Application	
Special feature	Gold-plated contacts
Electrical data	
Operating voltage [V]	10...30 DC; ("supply class 2" to cULus)
Protection class	III
Max. current load per module/slot [A]	2
Max. current load total [A]	2
Outputs	
Electrical design	PNP
Operating conditions	
Ambient temperature [°C]	-25...80
Ambient temperature (moving) [°C]	-5...60
Protection	IP 67; IP 68; (1 m / 7 days)
Mechanical data	
Weight [g]	88.5
Dimensions [mm]	23.7 x 30 x 85.4
Materials	PBT-GF20; brass nickel-plated
Number of ports splitter box	4
Connector type	M8

# EBC050



## Splitter box

ZDO4F035MSS0000---STGH080MSS

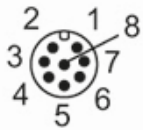
Displays / operating elements		
Display	switching status	4 x LED, yellow
	operation	1 x LED, green

Accessories	
Accessories (optional)	DIN rail adapter., E73006
	Protective caps, for M8 sockets, E73005

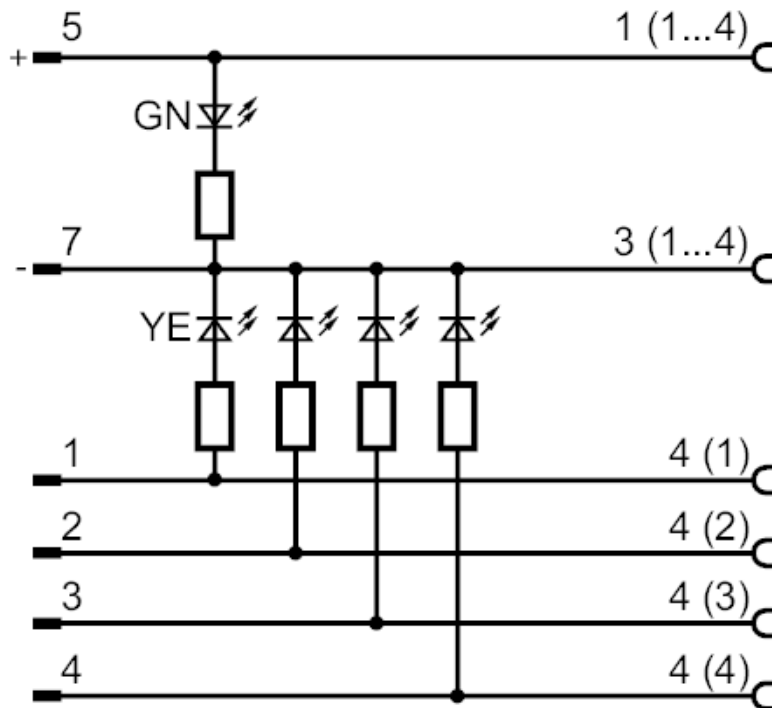
Remarks	
Pack quantity	1 pcs.

### Electrical connection - Connection

Connector: 1 x M12; Moulded body: PBT-GF 20 / brass, nickel-plated; Contacts: gold-plated



### Connection



### Electrical connection - slot

Connector: 4 x M8; Moulded body: PBT-GF 20 / brass, nickel-plated; Contacts: gold-plated

# EBC050

## Splitter box

ZDO4F035MSS0000---STGH080MSS

