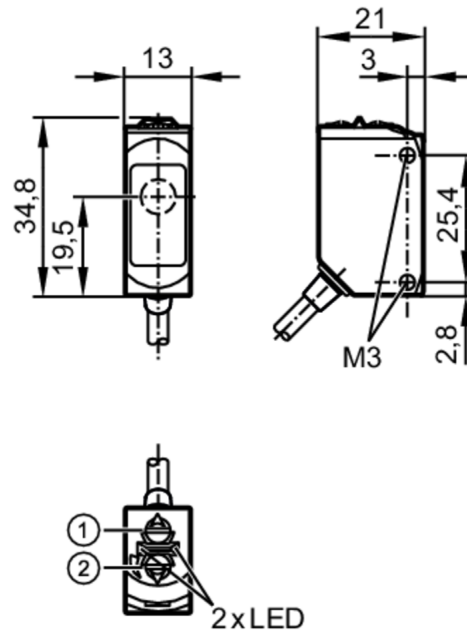


O6E300



Through-beam sensor receiver

O6E-FPKG



- 1 output function switch
- 1 potentiometer sensitivity



Product characteristics

Type of light	red light
Housing	rectangular

Application

Function principle	Through-beam sensor
--------------------	---------------------

Electrical data

Operating voltage	[V]	10...30 DC
Current consumption	[mA]	7; ((24 V))
Protection class		III
Reverse polarity protection		yes
Type of light		red light
Wave length	[nm]	633

Outputs

Electrical design		PNP
Output function		light-on/dark-on mode; (selectable)
Max. voltage drop switching output DC	[V]	2.5
Permanent current rating of switching output DC	[mA]	100
Switching frequency DC	[Hz]	1000
Short-circuit protection		yes
Type of short-circuit protection		pulsed

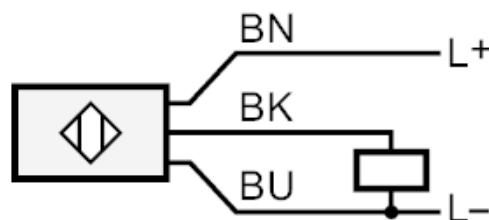
O6E300



Through-beam sensor receiver

O6E-FPKG

Detection zone		
Transmitter / receiver		receiver
Range [m]		< 10
Range adjustable		yes
Operating conditions		
Ambient temperature [°C]		-25...80
Protection		IP 65; IP 67; IP 68; IP 69K
Tests / approvals		
EMC	EN 60947-5-2	
MTTF [years]		1014
UL approval	UL Approval no.	E003
Mechanical data		
Weight [g]		80.8
Housing		rectangular
Materials		housing: stainless steel (1.4404 / 316L); plastics: PPSU; Sealing: EPDM
Lens material		PMMA
Lens alignment		side lens
Displays / operating elements		
Display	switching status	1 x LED, yellow
	operation	1 x LED, green
Remarks		
Remarks		operating voltage "supply class 2" according to cULus
Pack quantity		1 pcs.
Electrical connection		
Cable: 2 m, PVC; 3 x 0.25 mm ²		
Connection		



Core colours :

- BK = black
- BN = brown
- BU = blue

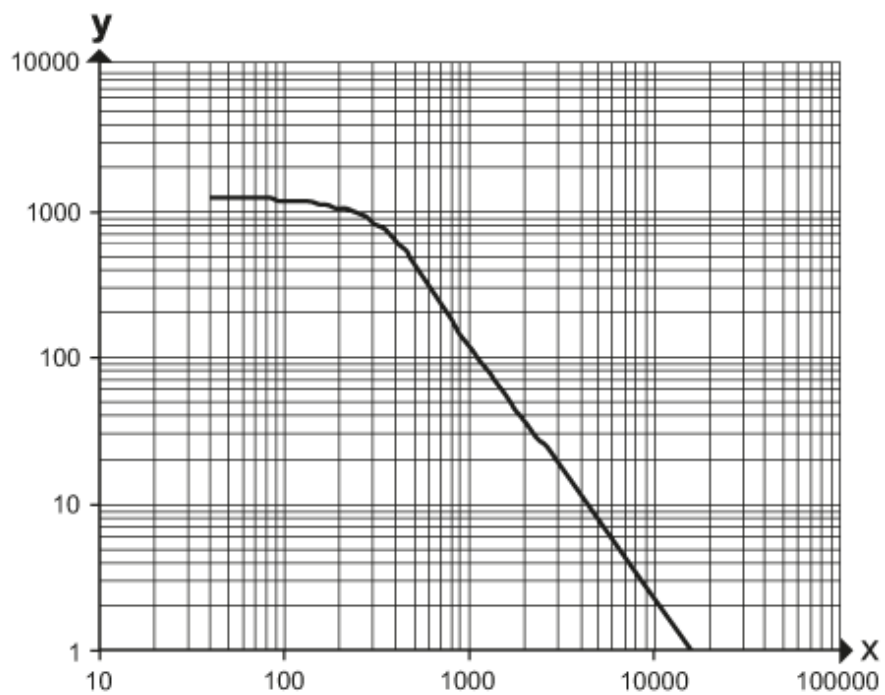


Through-beam sensor receiver

O6E-FPKG

Diagrams and graphs

excess gain graph



x: distance [mm]

y: excess gain factor