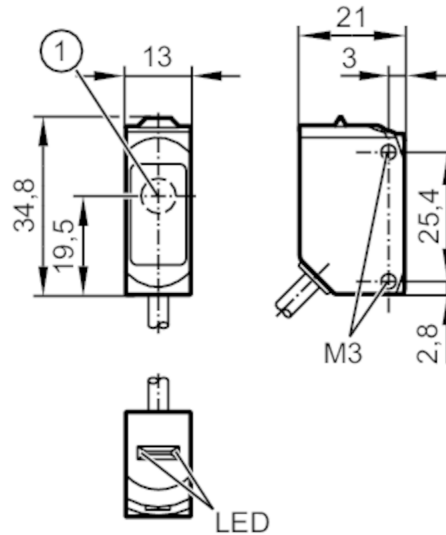


O6S402



Through-beam sensor transmitter

O6S-OOKG/0,30m/US



1: light emission



Product characteristics

Type of light	red light
Housing	rectangular
Dimensions [mm]	34.8 x 13 x 21

Application

Function principle	Through-beam sensor
Application	suited for use in the machine tool industry

Electrical data

Operating voltage [V]	10...30 DC
Current consumption [mA]	11; ((24 V))
Protection class	III
Type of light	red light
Wave length [nm]	633

Detection zone

Transmitter / receiver	transmitter
Range [m]	< 10
Max. light spot diameter [mm]	300
Light spot dimensions refer to	at maximum range

Operating conditions

Ambient temperature [°C]	-25...60
Protection	IP 65; IP 67; IP 68

Tests / approvals

EMC	EN 60947-5-2	
MTTF [years]		2942
UL approval	UL Approval no.	E021

O6S402



Through-beam sensor transmitter

O6S-OOKG/0,30m/US

Mechanical data		
Weight	[g]	49.7
Housing		rectangular
Dimensions	[mm]	34.8 x 13 x 21
Materials		housing: stainless steel (1.4404 / 316L); plastics: PPSU; Sealing: FKM
Lens material		PMMA
Lens alignment		side lens
Displays / operating elements		
Display	operation	1 x LED, green
Remarks		
Remarks		operating voltage "supply class 2" according to cULus
Pack quantity		1 pcs.

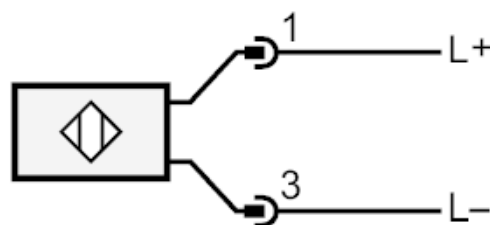
Electrical connection

Cable: 0.3 m, PUR; 2 x 0.25 mm²

Connector: 1 x M12



Connection



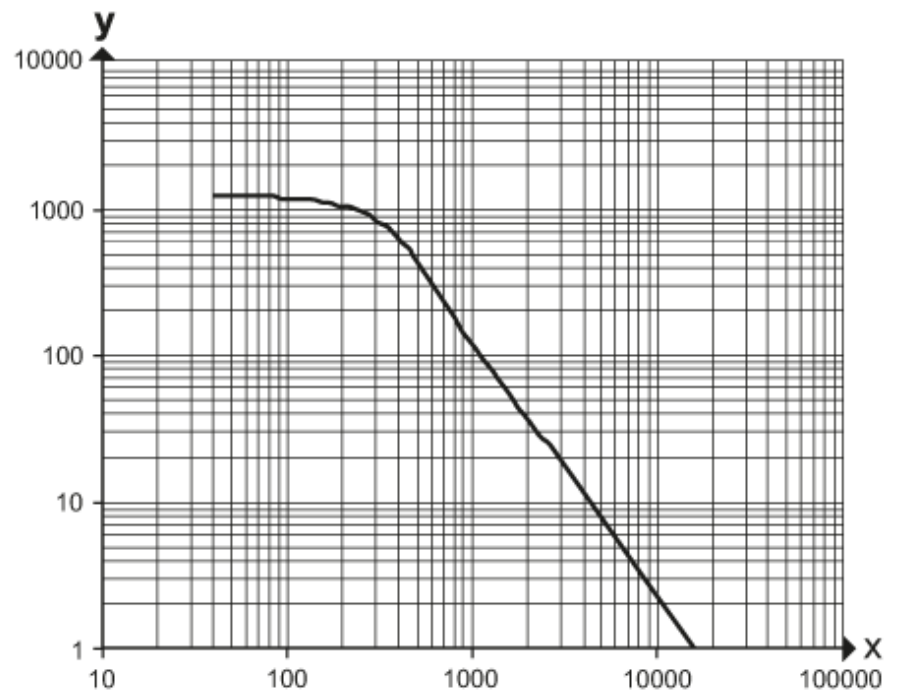


Through-beam sensor transmitter

O6S-OOKG/0,30m/US

Diagrams and graphs

excess gain graph



x: distance [mm]

y: excess gain factor