

## SUPPRESSOR FOR CONTACTORS

Diode combination, 24 VDC, 25 W

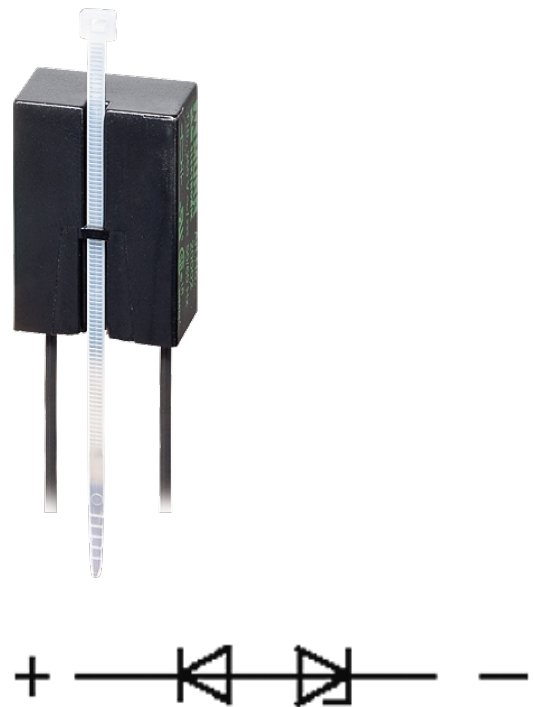
24 V DC

Z-Diode

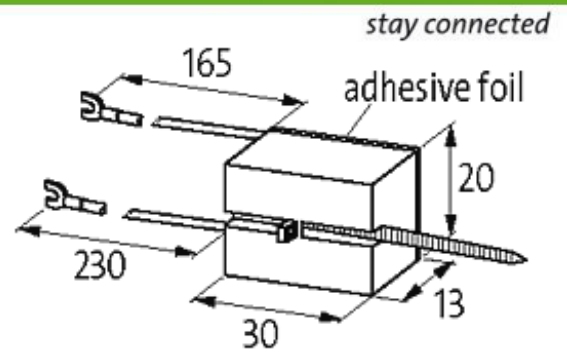
For other configurations and voltages, please inquire

### [Link to Product](#)

#### Illustration



Diode/Z-Diode



Product may differ from Image

### Approvals



### Appropriate contactors

universal

### Technical Data

Damping factor	approx. 1.5 × UN
Material	Flame retardant plastic acc. to (UL 94)
Connection wires	self-securing cable forks
Max. power (W)	25 W

### General data

Temperature range	-20...+70 °C
Dimensions H × W × D	30×20×13 mm

### Commercial data

country of origin	CZ
customs tariff number	85363010
minimum order quantity	1