

MSUD VALVE PLUG FORM BI 11MM

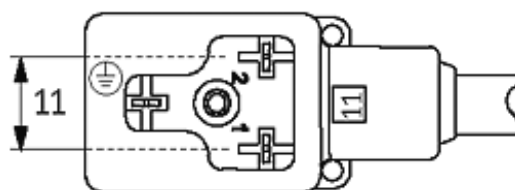
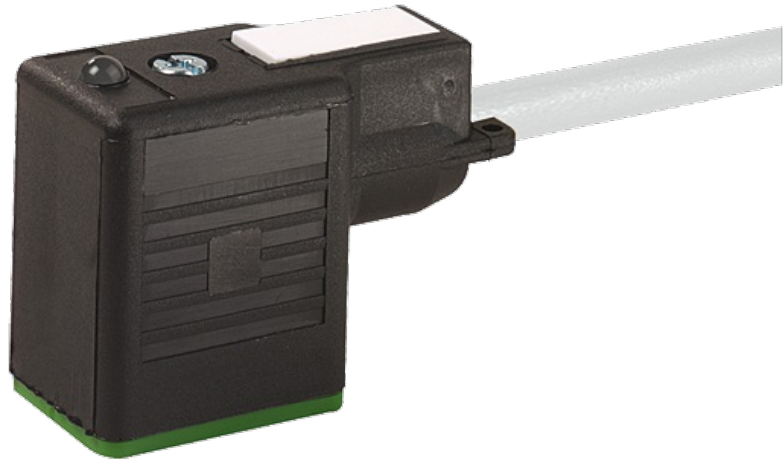
PUR 3X0.75 GRAY, 15m

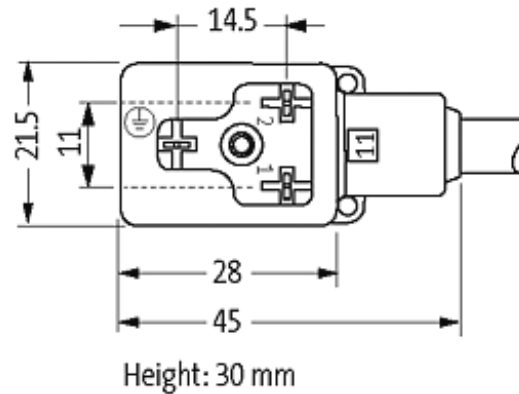
Form BI (11 mm) industrial standard
0...230 V AC/DC, without components
180°, PE opposite cable outlet

Further cable lengths on request. Plastic housings with good resistance against chemicals and oils. The resistance to aggressive media should be individually tested for your application. Further details on request.

[Link to Product](#)

Illustration





Product may differ from Image

Approvals



Form

11071

Technical Data

| | |
|-------------------------------|--|
| Operating voltage | max. 230 V AC/DC |
| Operating current per contact | max. 10 A |
| Locking of ports | M3 (recommended torque 0.4 Nm) |
| Protection | IP67 inserted and tightened (EN 60529) |
| Housing | Black plastic (gray on request) |

Cables

| | |
|-----------------------------|--------------------------|
| Cable number | 216 |
| No./diameter of wires | 3 × 0.75 mm ² |
| Wire isolation | PVC (bk, num, gnye) |
| Jacket Color | gray |
| Shore hardness outer jacket | 80 ± 5A |
| Material (jacket) | PVC |
| Outer diameter | approx. 5.9 mm |
| Bend radius (fixed) | 5 × outer Ø |
| Bend radius (moving) | 10 × outer Ø |
| Temperature range (fixed) | -30...+70 °C |
| Temperature range (mobile) | -5...+70 °C |

Commercial data

| | |
|------------------------|----------|
| country of origin | DE |
| customs tariff number | 85444290 |
| minimum order quantity | 1 |