



**Model Number**

**GL121-IR/32/40a/98a**

Photoelectric slot sensor with 3-pin, M8 x 1 connector

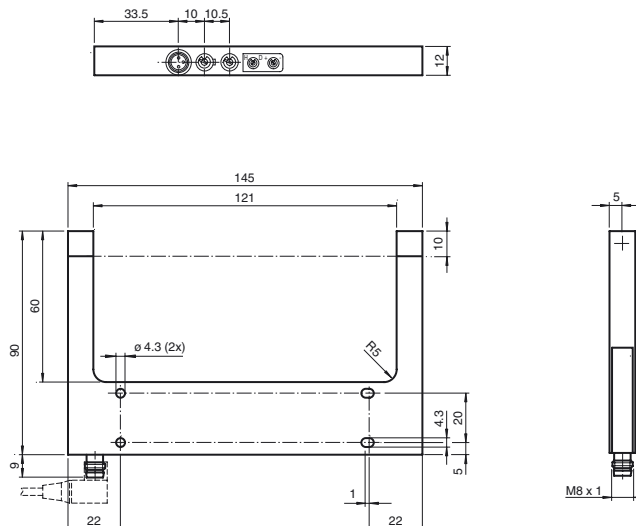
**Features**

- Optimized for the detection of small parts
- High switching frequency
- Multiple device installation possible, no mutual interference (no cross-talk)
- Sensitivity adjuster and light/dark switch as standard features of this series
- Infrared light
- Degree of protection IP67
- cULus approval
- Diecast zinc housing, powder coated

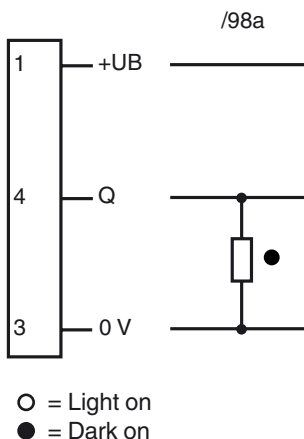
**Product information**

Photoelectric slot sensors offer vast installation benefits thanks to their housing design. When it comes to operation, these new generation devices boast features such as high resolution, high repeatability, automatic signal threshold adjustment, ambient light resistance, and detection of and/or light transmission through transparent objects. Cross-talk protection enables parallel installation of devices despite extremely high switching frequency. These characteristics guarantee reliable detection of small parts, from 0.3 mm, across the entire detection range, even in very fast moving applications.

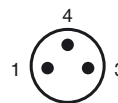
**Dimensions**



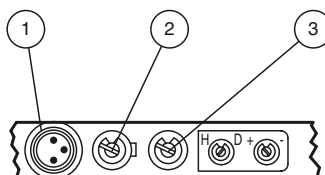
**Electrical connection**



**Pinout**



**Indicators/operating means**



1	Functional display	red
2	Light-/dark switch	
3	Sensitivity adjuster	

Release date: 2015-02-27 09:17 Date of issue: 2015-02-27 198055\_eng.xml

Refer to "General Notes Relating to Pepperl+Fuchs Product Information".

**Technical data****General specifications**

Light source	IRE D
Light type	modulated infrared light
Tests	EN 60947-5-2
Target size	0.3 mm
Slot width	121 mm
Ambient light limit	100000 Lux

**Functional safety related parameters**

MTTF <sub>d</sub>	1290 a
Mission Time (T <sub>M</sub> )	20 a
Diagnostic Coverage (DC)	0 %

**Indicators/operating means**

Function indicator	LED red in connector
Control elements	Sensitivity adjuster, light/dark switch

**Electrical specifications**

Operating voltage	U <sub>B</sub>	10 ... 30 V DC, class 2
Ripple		10 %
No-load supply current	I <sub>0</sub>	≤ 15 mA

**Output**

Switching type	light/dark on	
Signal output	1 PNP, short-circuit protected, open collector	
Switching voltage	max. 30 V DC	
Switching current	max. 100 mA	
Repeat accuracy	0.05 mm	
Switching frequency	f	2 kHz
Response time		≤ 250 μs

**Ambient conditions**

Ambient temperature	-20 ... 60 °C (-4 ... 140 °F)
Storage temperature	-20 ... 75 °C (-4 ... 167 °F)

**Mechanical specifications**

Degree of protection	IP67
Connection	M8 connector, 3-pin
Material	
Housing	powder coated diecast zinc
Optical face	glass
Mass	295 g

**Approvals and certificates**

CE conformity	CE
UL approval	cULus
CCC approval	CCC approval / marking not required for products rated ≤36 V

**Accessories****V3-GM-2M-PUR**

Cable socket, M8, 3-pin, PUR cable

**V3-WM-2M-PUR**

Cable socket, M8, 3-pin, PUR cable

Other suitable accessories can be found at [www.pepperl-fuchs.com](http://www.pepperl-fuchs.com)