



SIRIUS ROPE SWITCH W. EMER-STOP "METAL ENCLOSURE,3XM20X1.5;" 1NO+3NC, LATCHING TO AND TURN-TO-RESET, FOR ROPE LENGTHS UP TO 75M

Product designation		cable-operated switch
<b>General technical data:</b>		
Protection class IP		IP65
Equipment marking		S
<ul style="list-style-type: none"> <li>• acc. to DIN EN 61346-2</li> <li>• acc. to DIN EN 81346-2</li> </ul>		S
<b>Enclosure:</b>		
Material of the enclosure		metal
Product component		Yes
<ul style="list-style-type: none"> <li>• EMERGENCY STOP device</li> </ul>		Yes
Color		grey
<ul style="list-style-type: none"> <li>• of top part of the enclosure</li> </ul>		grey
<b>Ambient conditions:</b>		
Ambient temperature		
<ul style="list-style-type: none"> <li>• during operation</li> </ul>	°C	-25 ... +70
<b>Installation/ mounting/ dimensions:</b>		
Mounting type		screw fixing
Height	mm	209
Width	mm	67
Depth	mm	53
<b>Certificates/ approvals:</b>		



## Shipping Approval



## Further information

## Information- and Downloadcenter (Catalogs, Brochures,...)

<http://www.siemens.com/industrial-controls/catalogs>

## Industry Mall (Online ordering system)

<http://www.siemens.com/industrymall>

## Cax online generator

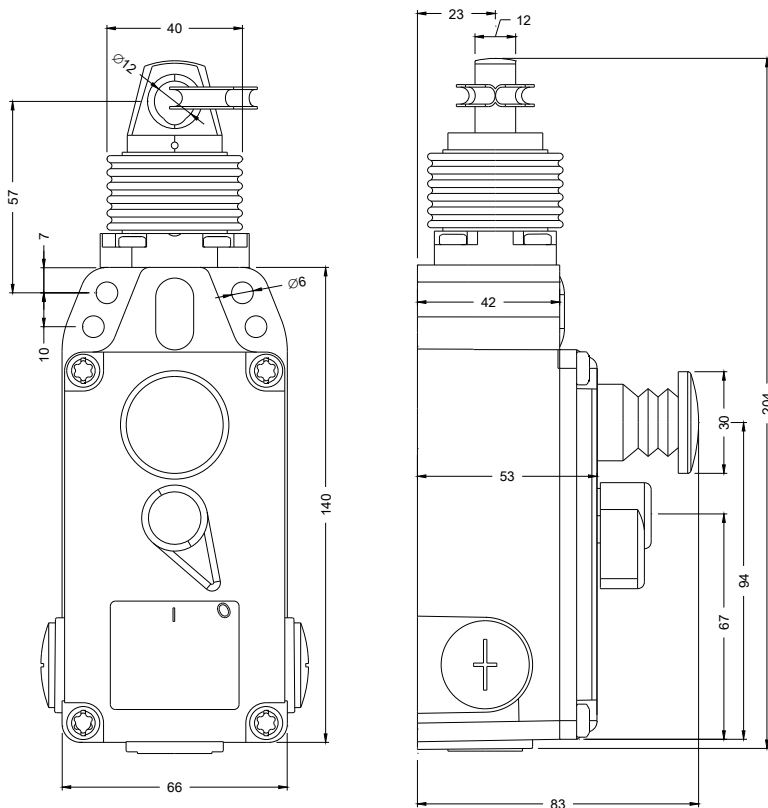
<http://support.automation.siemens.com/WW/CAXorder/default.aspx?lang=en&mfb=3SE71411EG10>

## Service&amp;Support (Manuals, Certificates, Characteristics, FAQs,...)

<http://support.automation.siemens.com/WW/view/en/3SE71411EG10/all>

## Image database (product images, 2D dimension drawings, 3D models, device circuit diagrams, EPLAN macros, ...)

[http://www.automation.siemens.com/bilddb/cax\\_de.aspx?mfb=3SE71411EG10&lang=en](http://www.automation.siemens.com/bilddb/cax_de.aspx?mfb=3SE71411EG10&lang=en)



**last modified:**

09.03.2015