

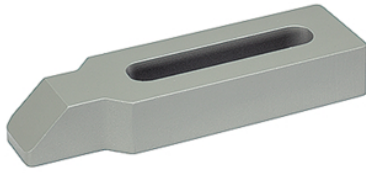
Clamps · with nose, closed

23170.0027

Product Description

This clamp (clamping claw) according to DIN 6317 with nose is mainly used in mechanical clamping technology for clamping workpieces. Due to the closed design of the clamp, it is suitable for use with rotating workpieces.

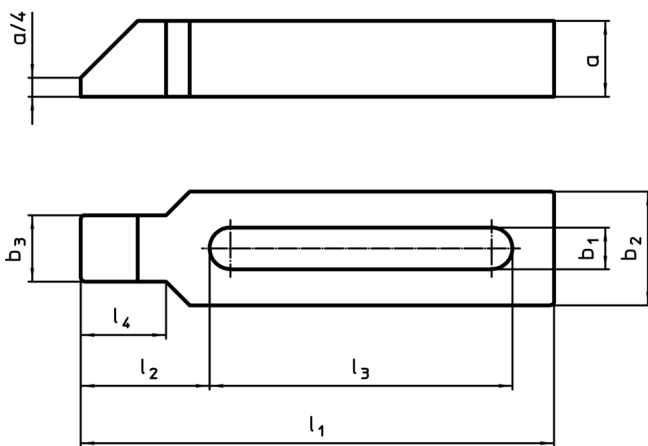
Thanks to the closed slot, the clamp is suitable for an application with rotating workpieces.




Material

- Heat-treated steel, varnished

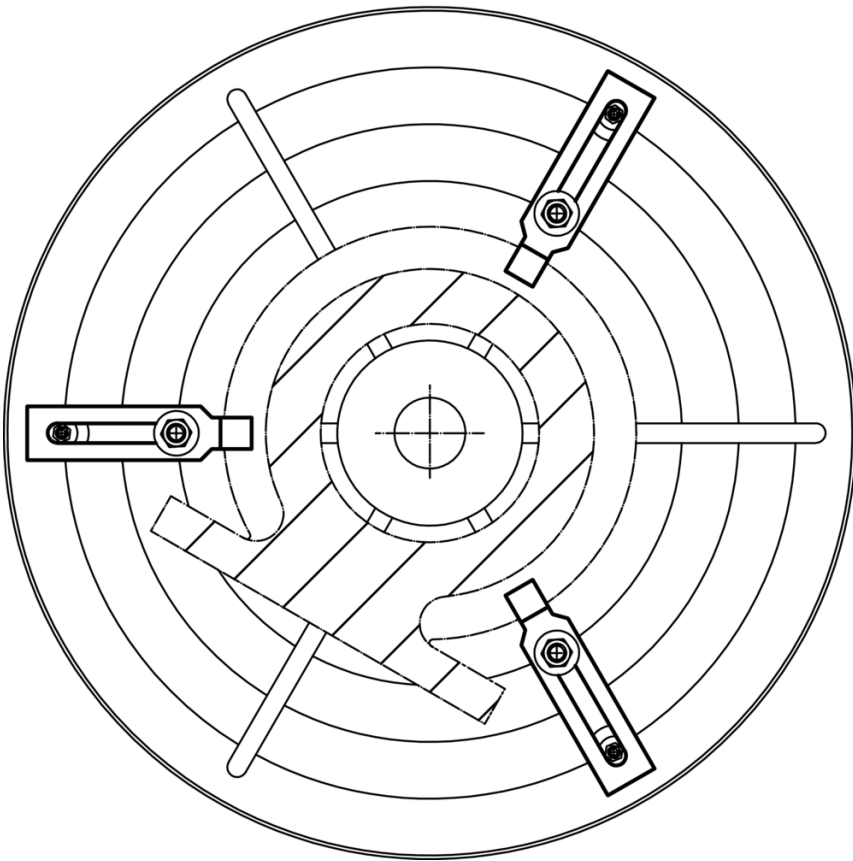
Drawing



Order information

Nominal dimension b_1 [mm]	Dimensions							For screws		 [g]	Art. No.
	l_1	a	b_2	b_3	l_2	l_3	l_4	[mm]	[inch]		
26	315	40	70	43	83	200	56	M24	1	4560	23170.0027

Application example



Compliance

RoHS compliant

Compliant according to Directive 2011/65/EU and Directive 2015/863

Does not contain SVHC substances

No SVHC substances with more than 0.1% w/w contained - SVHC list [REACH] as of 10.06.2022

Does not contain Proposition 65 substances

No Proposition 65 substances included
<https://www.P65Warnings.ca.gov/>

Free from Conflict Minerals

This product does not contain any substances designated as "conflict minerals" such as tantalum, tin, gold or tungsten from the Democratic Republic of Congo or adjacent countries.