

Cross laser, red, 635 nm, 45 °, 3.5 mW

LFC635-5-6(9x20)45
Order Number: 70108491

Main Parameters (*)	min	typ	max	Unit
Wavelength		635		nm
Optical Diode Power	2	3.5	5	mW
Operating Voltage	3	6	6.6	V DC
Operating Current	20	40	60	mA
Operating Temperature	-20		40	°C
Storage Temperature	-40		80	°C

Main Data

Warranty 1 years

Technical Parameters

Lifetime > 3,000 h
RoHS yes

Optical Parameters

Beam Shape	Cross
Laser Class	1
Divergence	H - 1.0 mrad
Fan Angle	45 °
Line Thickness	<1.2mm@1m
Operating Distance	2 m
Optics	acryl lense
Laser technology	diode
Focus	fixed (1000mm)
Verticality	< ± 1 °

Electrical Parameters

Potential of Housing	VDD(+)
Power Supply	LFNT-3

Mechanical Parameters



Size	Ø9x20 mm
Material	Brass
Cable length	100 mm
Wire type	26AWG, 0,14mm ²
Output Aperture	6 mm
Weight	6 g

(*) Over the complete operating temperature range

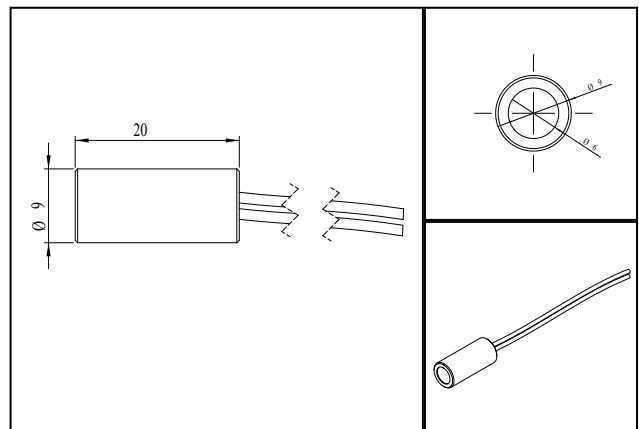
Picture



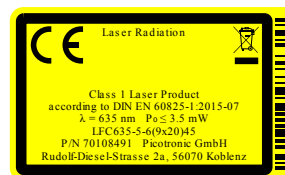
Cable color

Ground		black	GND
positive		red	3 - 6.6, typ 6 V DC

Drawing



Safety Label



Valid Revision

13 | 17-FEB-2022