

DESIGN

Successfully used case for measuring units of handy pocket size. With recessed panel for imprints or the firm's symbols.

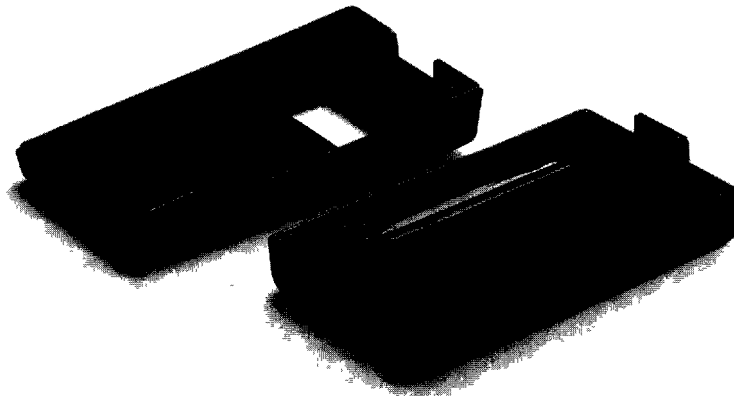
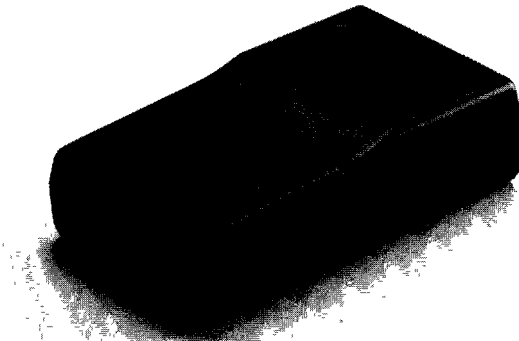
Cut-out section for digital or analogical readout
50 × 20 mm.

With battery compartment for 9 V flat battery or mono cell. Accessible from the outside.

The rear frame of the base part is raised for accommodating plugs.

MATERIAL

ABS. Also available in other materials on request. See properties of plastic materials on pages 242/243.



STANDARD COLOURS

Dark brown, RAL 8022
See colour chart on pages 260/261.
Off-white, RAL 9002*.

SPECIAL COLOURS

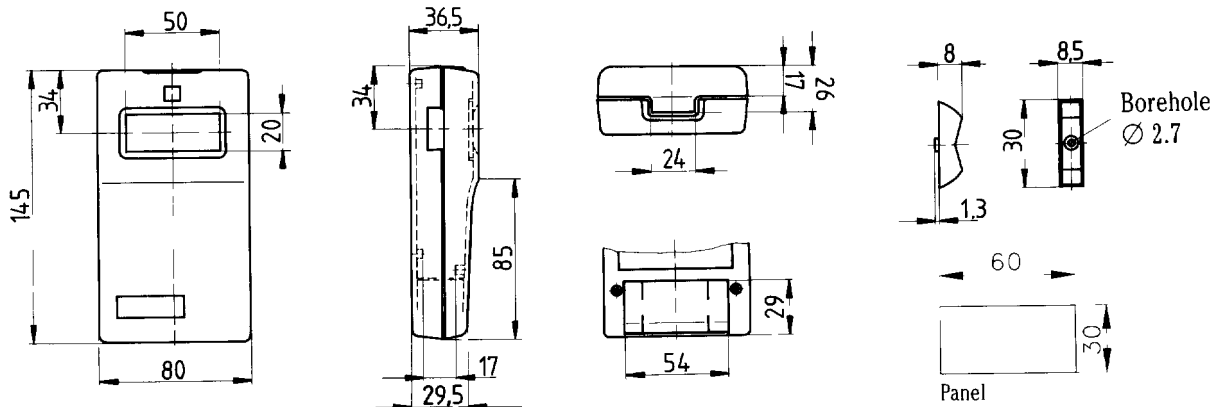
Any desired colour. See colour chart on pages 260/261.

TYPE I

With recess for rocker switch.

TYPE II

Without recess for rocker switch.



MACHINING AS PER CUSTOMER'S REQUIREMENTS

See page 240.

CASE			Colour	Type	Part No
Outside dimensions					
A	B	C			
145	80	36,5/29,5	dark brown black	I	A9060009
145	80	36,5/29,5	off white*	I	
145	80	36,5/29,5	dark brown black	II	A9060019
145	80	36,5/29,5	off-white*	II	
ACCESSORIES					
Item	Colour	Version/Application			
Switch cap	dark brown	for rocker switch series 'S'			
Switch cap	off-white*	for rocker switch series 'S'			
Cover plug	black	for screw holes on bottom			
Plug-in contact	blue	for 9 V flat battery			
Panel	transparent	60 × 30 × 10 mm for digital readout			

* Non-preferred Please contact for availability

STANDARD COLOURS

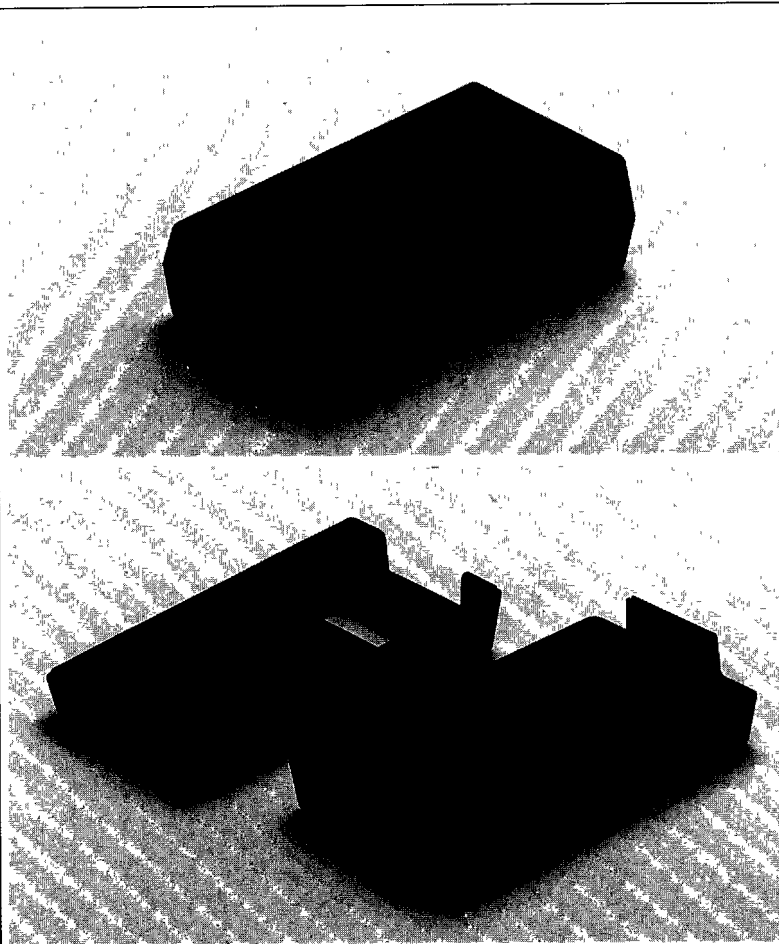
Dark brown, RAL 8022.
See colour chart on pages 260/261.
Off-white, RAL 9002.

SPECIAL COLOURS

Any desired colour.
See colour chart on pages 260/261.

TYPE I

With battery compartment for 1 flat battery 9 V or 1 baby cell.



DESIGN

Small case, fascinating in form. With recessed section, e.g. for membrane key-boards, control elements.

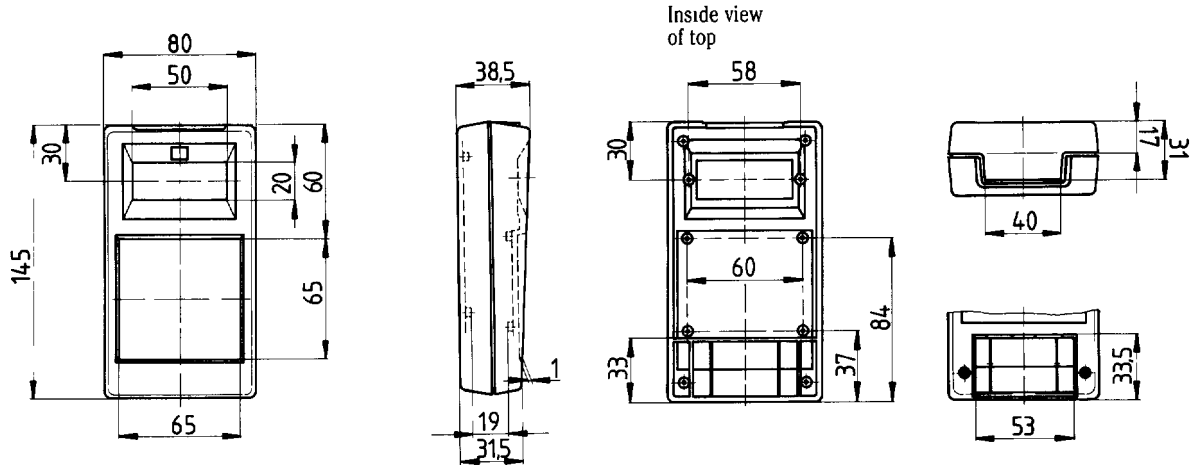
Cut-out section for digital and analogical readout 50 × 20 mm.

The battery compartment is accessible from the outside. For one flat battery 9 V or one mono cell.

The front frame of the base part is raised for accommodating plugs.

MATERIAL

ABS. Also available in other materials on request. See properties of plastic materials on pages 242/243.



Part No.	CASE			Colour	Type
	A	B	C		
A 90 62 011	145	80	38,5/31,5	dark brown	I
A 90 62 017	145	80	38,5/31,5	off-white	I
ACCESSORIES					
Item	Colour		Version/Application		
A 91 60 002	black		for screw holes on bottom		
A 91 60 003	blue		for 9 V flat battery		

MACHINING AS PER CUSTOMER'S REQUIREMENTS

See page 240.