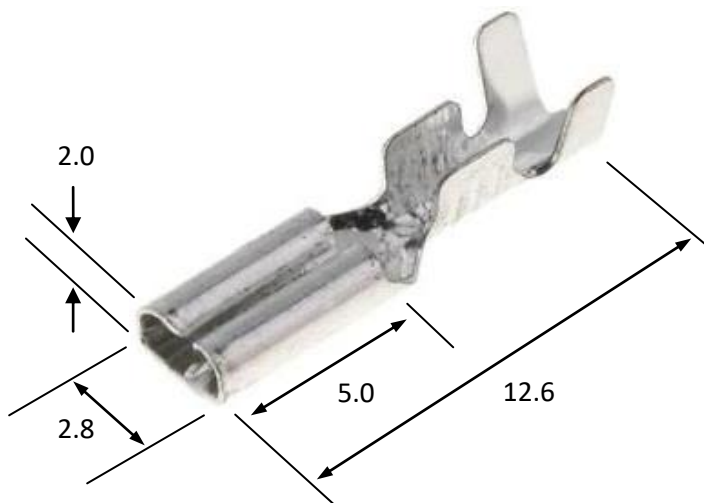


Part Number:

40220041



Dimensions in millimetres

Notes:

- | | | |
|---|----------------------|-----------------------------|
| 1 | Material | Tin plated brass |
| 2 | Connector | Push-on 2.0 x 0.5mm |
| 3 | Environmental | RoHS & REACH SVHC compliant |