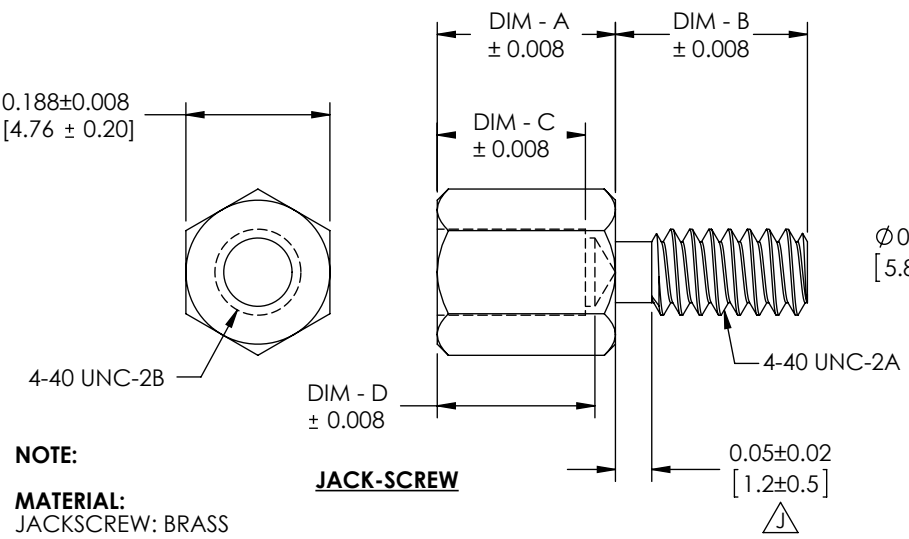


THE INFORMATION CONTAINED IN THIS DRAWING IS THE SOLE PROPERTY OF L-COM, INC. ANY REPRODUCTION IN PART OR WHOLE WITHOUT THE WRITTEN PERMISSION OF L-COM, INC. IS PROHIBITED.

REVISIONS			
REV	DESCRIPTION	DATE	APPROVED
F	ECN 4523: CHANGED HEX NUT MATERIAL FROM BRASS TO STEEL.	1/28/10	D.FRISIELLO
G	ECN 7890: UPDATED FORMAT, PACKAGING, ROHS	4/2/15	D. DESJARDIN
H	ECN 8584: REVISED SCREW THREAD PER ACTUAL PART. 1/16" NON-THREADED PORTION	12/15/16	D. DESJARDIN
J	ECN 8927: TOL CHANGE AT ZONE B-5 FROM 1.59 +/- 0.20 TO 1.2 +/- 0.5	10/2/2017	R.CLARK

P/N	DIM - A	DIM - B	DIM - C	DIM - D
SDG250	.232 [5.89]	.250 [6.35]	.193 [4.90]	.205 [5.21]
SDG300	.232 [5.89]	.300 [7.62]	.193 [4.90]	.205 [5.21]
SDG400	.232 [5.89]	.400 [10.16]	.193 [4.90]	.205 [5.21]
SDG400S	.197 [5.00]	.400 [10.16]	.154 [3.91]	.166 [4.22]
SDG400XS	.160 [4.06]	.400 [10.16]	.094 [2.39]	.128 [3.25]
SDG450XS	.160 [4.06]	.450 [11.43]	.094 [2.39]	.128 [3.25]
SDG500	.232 [5.89]	.500 [12.70]	.193 [4.90]	.205 [5.21]



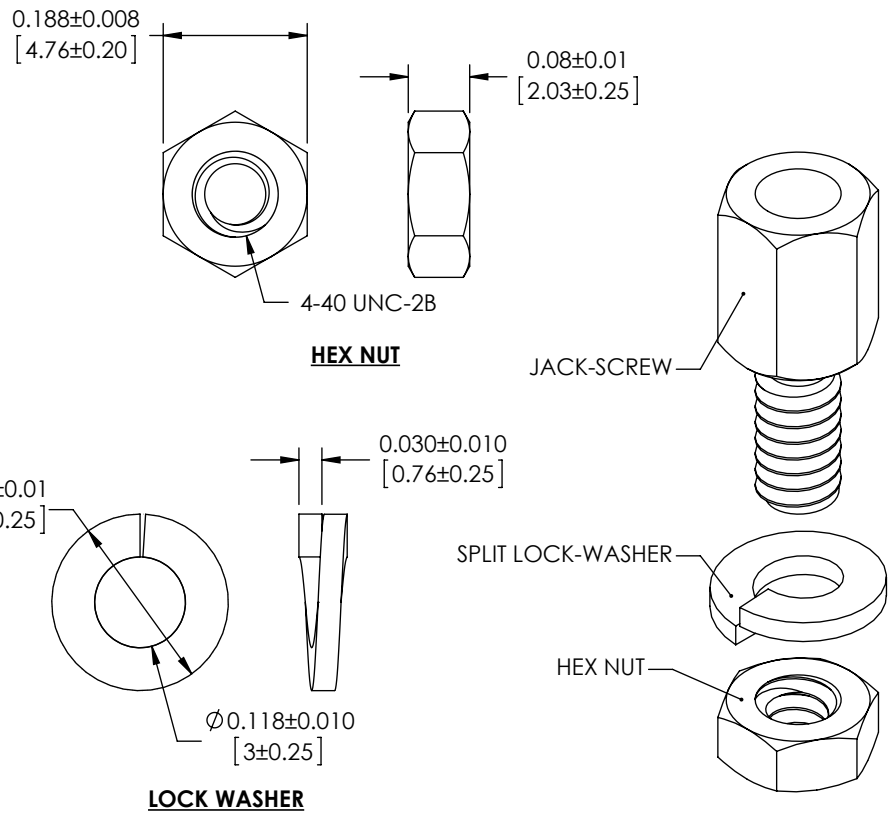
NOTE:

MATERIAL:
 JACKSCREW: BRASS
 HEX NUT: STEEL
 LOCK WASHER: STEEL

FINISH:
 JACKSCREW: NICKEL PLATED
 HEX NUT: NICKEL PLATED
 LOCK WASHER: NICKEL PLATED

MISCELLANEOUS:
 PACKAGING: SEAL 50 JACK-SCREWS, 50 LOCK-WASHERS, AND 50 HEX NUTS IN ACCORDANCE WITH L-COM SPECIFICATION PS-0031.

REGULATORY COMPLIANCE:
 CE2011/65/EU (RoHS DIRECTIVE)



UNLESS OTHERWISE SPECIFIED, DIMENSIONS ARE IN INCHES [mm] OVERALL CABLE LENGTH TOLERANCE: ≤12 [305] = +1 [25] / -0 >12 [305] ≤60 [1524] = +2 [51] / -0 >60 [1524] ≤120 [3048] = +4 [102] / -0 >120 [3048] ≤300 [7620] = +6 [152] / -0 >300 [7620] = +5% / -0%	APPROVALS	DATE			50 HIGH STREET NORTH ANDOVER, MA 01845
	DRAWN BY B.MAZEJKA	02/12/2004			CHECKED BY D.PARHAM
ALL OTHER DIMENSIONAL TOLERANCES: .X = ± .2 [5.08] .XX = ± .02 [5.1] .XXX = ± .005 [1.3]	CONFIGURATION DETAILS OF UNDIMENSIONED FEATURES MAY VARY		CATEGORY D-SUBMINIATURE		
PROJECTION	COLOR VARIATIONS MAY OCCUR		PRODUCT DESCRIPTION 4-40 HEX JACK-SCREW KIT		
	SIZE A	FSCM NO. 43321	DWG. NO. SDG250	REV. J	
	SCALE: NONE	CAD FILE: SDG250.SLDDRW	SHEET 1 OF 1		