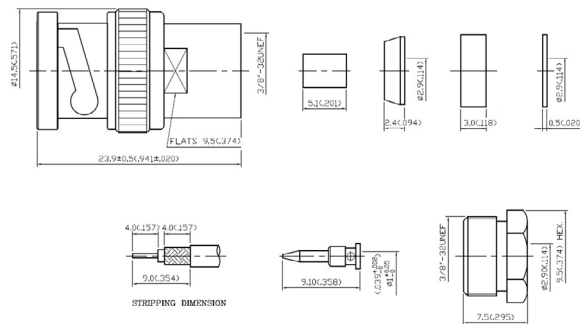


# HF Connectors



## Male Connector BNC 50 Ω, straight

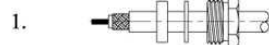
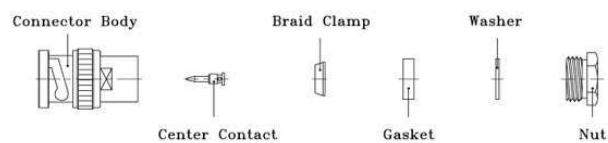


### SPECIFICATION:

Housing Material	Brass/Nickel-plated
Series	BNC
Frequency	4 GHz
Gender	Male
Insulation material	Teflon
Impedance	50 Ω
CAT Catalogue Description	2Nut - Brass, Nickel-plated - Washers - Brass, Nickel-plated - Gaskets - Rubber, Red - Braid Clamp - Brass, Nickel-plated - Spring Washer - Steel, Nickel-plated - Shell - Zinc, Nickel-plated
Connector Design	straight
Connection, attachment	Solder
Connection, shield	Clamp
Cable type	RG-174U
Contacts	gold-plated/Brass

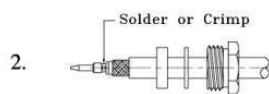
### CABLE MOUNTING INSTRUCTIONS

#### ■ CM-07 for Straight Clamp Type Connectors (1)



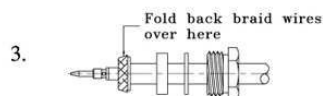
#### 1. Preparation of Cable

- (1) Slide nut, washer and gasket onto cable
- (2) Strip cable to recommended dimensions shown in catalogue



#### 2. Soldering Center Contact to Cable Center Conductor

- (1) Insert cable center conductor into center contact until cable dielectric rest against center contact
- (2) Solder (or Crimp) center contact to cable center conductor



#### 3. Installing Braid Clamp

- (1) Slide braid clamp until seat against cable jacket
- (2) Fold back braid wires to cover on outside of braid clamp



#### 4. Final Assembly

- (1) Insert cable assembly and hardware into connector body
- (2) Screw and tighten nut on