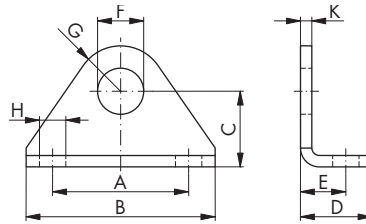


Zylinder  
Messing-Zylinder  
Zubehör  
Befestigungszubehör Zylinder

Cylinders  
Brass Cylinders  
Accessories  
Mounting Accessories Cylinders

**Befestigungswinkel**

Werkstoffe: Stahl, verzinkt



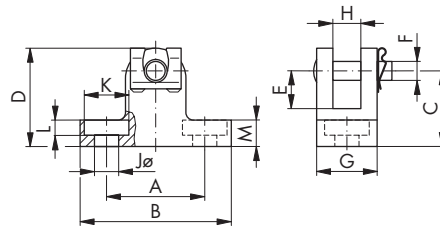
**Mounting Bracket**

Materials: steel, galvanized

| Best.-Nr.<br>Order No. | Kolben Ø<br>Piston dia. | A  | B  | C  | D    | E    | F    | G    | H   | I | K   | L | M |
|------------------------|-------------------------|----|----|----|------|------|------|------|-----|---|-----|---|---|
| 38.302                 | 5, 8                    | 18 | 25 | 10 | 9,5  | 6    | 6,1  | 6    | 3,5 |   | 1,5 |   |   |
| 37.302                 | 12                      | 24 | 33 | 15 | 12,5 | 8    | 10,1 | 8,5  | 4,5 |   | 2   |   |   |
| 36.302                 | 16 *                    | 32 | 45 | 22 | 18   | 11,5 | 14,1 | 13,5 | 6,6 |   | 3   |   |   |
| 36.312                 | 16                      | 32 | 45 | 22 | 18   | 11,5 | 18,1 | 13,5 | 6,6 |   | 3   |   |   |
| 35.302                 | 20                      | 40 | 53 | 30 | 25   | 17   | 22,1 | 17   | 6,6 |   | 4,5 |   |   |
| 34.302                 | 25                      | 40 | 53 | 30 | 25   | 17   | 24,1 | 17   | 6,6 |   | 4,5 |   |   |

**Lagerbock**

Werkstoffe: Lagerbock:  
Stahl, verzinkt  
Bolzen:  
Stahl, phosphatiert  
Sicherung:  
Federstahl, phosphatiert



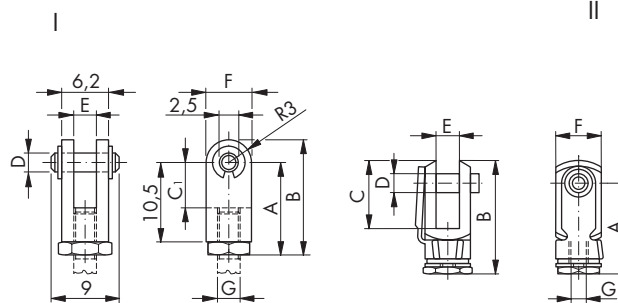
**Trunnion**

Materials: trunnion:  
steel, galvanized  
bolt:  
steel, phosphorized  
safety:  
spring steel,  
phosphorized

| Best.-Nr.<br>Order No. | Kolben Ø<br>Piston dia. | A  | B  | C  | D  | E  | F   | G  | H   | I   | K   | L   | M   |
|------------------------|-------------------------|----|----|----|----|----|-----|----|-----|-----|-----|-----|-----|
| 38.303                 | 5, 8                    | 13 | 20 | 10 | 13 | 5  | 2,5 | 8  | 3,7 | 3,2 | 5,9 | 2   | 3,5 |
| 37.303                 | 12                      | 20 | 30 | 15 | 20 | 8  | 5   | 11 | 6,1 | 4,5 | 8   | 3,4 | 5,5 |
| 36.303                 | 16                      | 27 | 45 | 22 | 29 | 11 | 6   | 16 | 9   | 7   | 11  | 5   | 9   |
| 34.303                 | 20 u. 25                | 27 | 45 | 30 | 40 | 17 | 8   | 28 | 14  | 7   | 11  | 4,8 | 12  |

**Gabelkopf**

Werkstoffe: Gabelkopf:  
Stahl, verzinkt  
Bolzen:  
Stahl,  
phosphatiert



**Clevis**

Materials: clevis:  
steel, galvanized  
bolt:  
steel, phosphorized

| Best.-Nr.<br>Order No. | Kolben Ø<br>Piston dia. | A  | B  | C  | D   | E   | F  | G   | C1 | I | K | L | M |
|------------------------|-------------------------|----|----|----|-----|-----|----|-----|----|---|---|---|---|
| 40.304 I               | 5**                     | 12 | 15 | 6  | 2,5 | 3,1 | 6  | M2  | 6  |   |   |   |   |
| 38.304 I               | 8**                     | 12 | 15 | 6  | 2,5 | 3,1 | 6  | M3  | 6  |   |   |   |   |
| 37.304 II              | 12**                    | 20 | 26 | 16 | 5   | 5   | 10 | M5  |    |   |   |   |   |
| 19.008.07 II           | 16                      | 27 | 34 | 19 | 6   | 6   | 12 | M6  |    |   |   |   |   |
| 19.008.08 II           | 20                      | 32 | 42 | 26 | 8   | 8   | 16 | M8  |    |   |   |   |   |
| 34.304 II              | 25                      | 40 | 52 | 32 | 10  | 10  | 20 | M10 |    |   |   |   |   |

\* Schwenklagerseite

\*\* werden mit Mutter geliefert

\* Swivel-bearing side

\*\* supplied with nut