

# FELLER GMBH

A-2525 GUENSELSDORF, AUSTRIA - TEL.: .. 43(2256) 62 32 50 - FAX: .. 43 (2256) 62 32 57  
e-mail: sales@feller-at.com <http://www.feller-at.com>

## Description: SAA/2-H05VVH2F2X075-C7/1,80M SW9005

(L33A)

Rating of cord set: 2,5A / 250V

### 1. PLUG: Type SAA/2

Molded plug according to : AS/NZS 3112:2000  
Rated current and voltage : 10A, 250V AC  
Plugbase : PPO GFR  
Pins : solid brass, nickel plated, crimped  
Pins dimension : 6,35 mm x 1,63 mm, line and neutral part insulated  
Outer mold : PVC compound, hardness Shore A75-77  
Approvals : SAA

### 2. CORD: Type H05VVH2F2X0,75 mm<sup>2</sup> BLACK

Flexible cord according to : EN50525-1;EN50525-2-11;EN50395,EN50396;AS3191  
Marked : \*JF\*<ÖVE><HAR>H05VVH2F2X0,75mm2\*N1095\*CE\*  
CCC 60227 IEC 53 (RVV) 300/500V 2x0,75mm2  
Number of cores : 2  
Conductor construction : 23x0,2 mm O.D. 1,10mm  
Conductor insulation : Extruded PVC, O.D. 2,30mm  
Jacket : Extruded PVC, 3,95 mm x 6,25mm +/-0,20mm  
Electrical resistance of conductors : max.26 Ω/km  
Dielectric strength : 2kV,1min  
Insulation resistance : >0,010 MΩ/kmm  
Color of conductors : brown, blue  
Approvals : HARMONIZED,SAA

### 3. CONNECTOR: Type C7

Molded connector according to : EN/IEC60320/C7, AS 3109.1  
Rated current and voltage : 2,5 A, 250 V AC  
Construction : double insulation  
Contacts of the connection : phosphor bronze CuSn6, crimped  
Inner insulation : PPO GFR  
Outer mold : PVC compound, hardness Shore A 75-77  
Approvals : CE,SAA

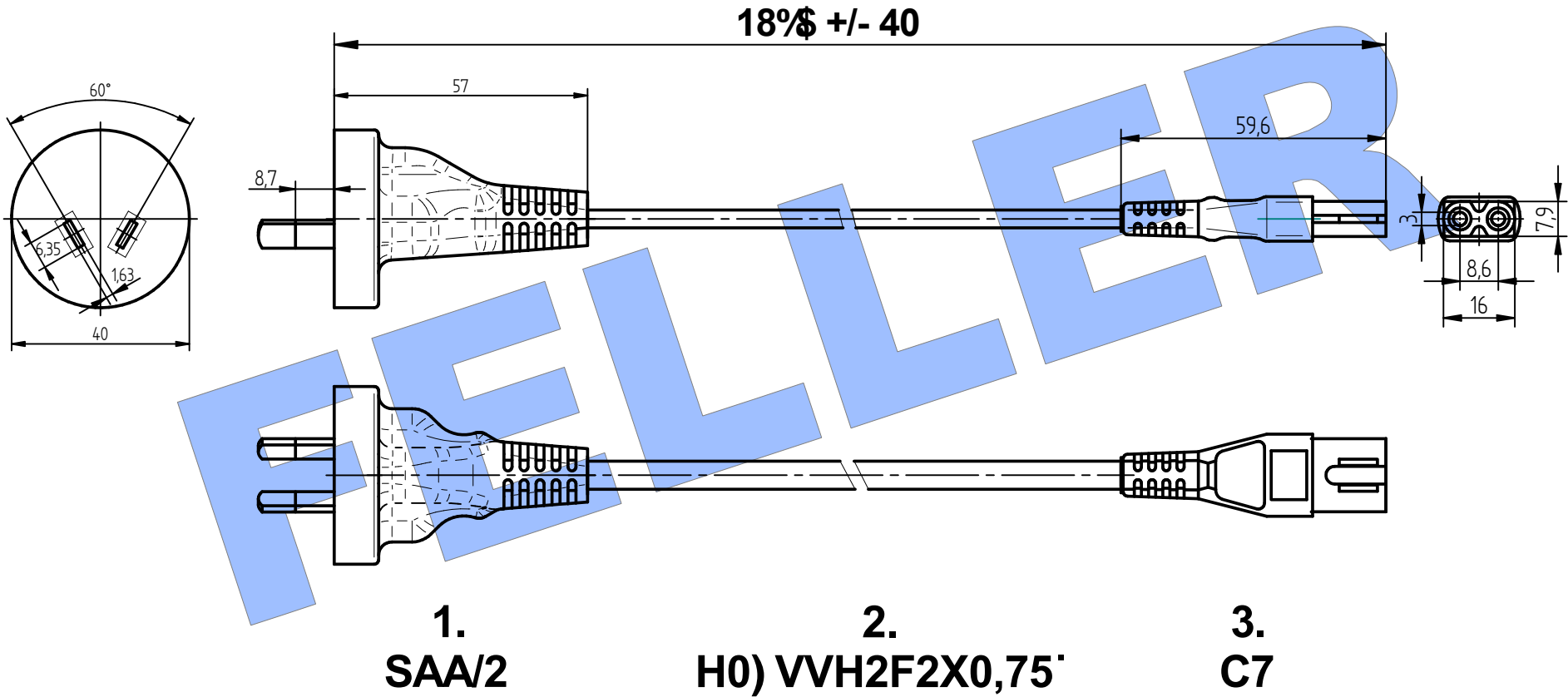
Environmental conformity : EU-Directive 2012/19/EU (WEEE)  
EU-Directive 2011/65/EU  
EU-Directive 1907/2006 EG (REACH -compliant)

### TESTING

Electrical testing : 100%  
Visual inspection : 100%  
High pot test wire to wire : 3kVac for 2 sec.  
Continuity test : 20Aac to line and neutral  
Skin high pot test : 6kVac line to skin

design subject to change without prior notice, except written agreements with customer

DATE of ISSUE:	March, 2020
REV:	ORIG: DG



**Feller Type: SAA/2-H0) VVH2F2X075-C7/1,80A 'GK - \$0) (L33A)**

**FELLER** 

A-2525 Günselsdorf, Austria

Telefon 0043-2256-62325-0

Fax: 0043-2256-62325-7

email: [sales@feller-at.com](mailto:sales@feller-at.com)

<http://www.feller-at.com>

All dimensions in mm

25.03.2020

**DG**

**RoHS compliant**