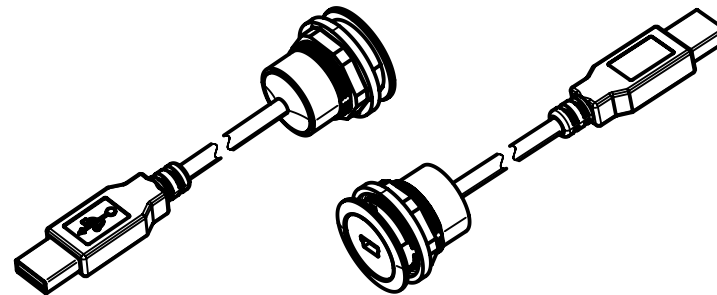
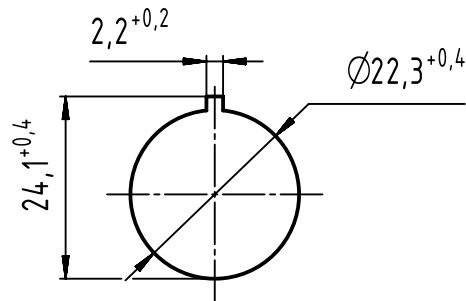
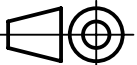



PANEL CUT DIMENSIONS



Length A	Part number
0,5 m	09 45 452 1940
1,0 m	09 45 452 1941
1,5 m	09 45 452 1942
2,0 m	09 45 452 1943
3,0 m	09 45 452 1944
5,0 m	09 45 452 1945

 All Dimensions in mm Original Size DIN A4		Scale 1:1	Free size tol.		Ref.
 All rights reserved Department EC PD - RO		Created by TAMAS	Inspected by AVRAM	Standardisation HOFFMANN	Date 2016-11-25
HARTING Electronics GmbH D-32339 Espelkamp		Title har-port USB 2.0 Mini-B			State Final Release
		Type TB	Number 0945452194X		Doc-Key / ECM-Nr. 100536613/UGD/001/B 500000111080
				Rev. B	Page 1/1