

174146-2 ✓ ACTIVE

Multilock Connector System

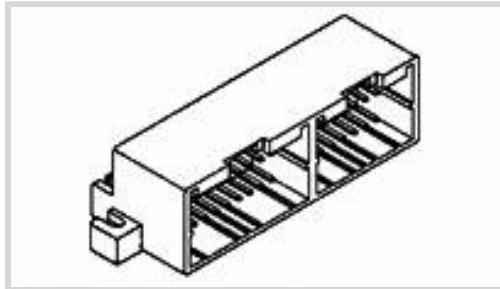
TE Internal #: 174146-2

Multilock Connector System, Automotive Headers, 36 Position, 2.5 mm [.098in] Centerline, Horizontal, 2 Row, Black, Through Hole - Solder, Tin (Sn)

[View on TE.com >](#)



Connectors > Automotive Connectors > Automotive Headers > SIGNAL HEADER



Number of Positions: **36**

Centerline (Pitch): **2.5 mm [.098 in]**

Sealable: **No**

PCB Mount Orientation: **Horizontal**

Number of Rows: **2**

[All SIGNAL HEADER \(423\)](#)

Features

Product Type Features

Hybrid Header	No
Sealable	No
Connector & Contact Terminates To	Printed Circuit Board

Configuration Features

Number of Sections	2
Number of Signal Positions	36
Number of Positions	36
PCB Mount Orientation	Horizontal
Number of Rows	2

Electrical Characteristics

Voltage Rating (Max)	12 VDC
Nominal Voltage Architecture	12 V
Operating Voltage	12 VDC

Body Features

Primary Product Color	Black
-----------------------	-------

Contact Features

--	--



Mating Tab Width	1 mm[.039 in]
Mating Tab Thickness	.64 mm[.025 in]
Contact Mating Area Plating Material	Tin (Sn)

Termination Features

Termination Method to Printed Circuit Board	Through Hole - Solder
---	-----------------------

Mechanical Attachment

Locking Interface	With
Mounting Holes	With
PCB Mount Alignment	Without
Panel Mount Feature	Without
PCB Mount Retention	Without
PCB Mount Retention Type	Mounting Hole

Housing Features

Centerline (Pitch)	2.5 mm[.098 in]
--------------------	-----------------

Dimensions

Profile Height from PCB	16.7 mm[.657 in]
PCB Thickness (Recommended)	1.6 mm[.063 in]
Product Width	63.5 mm[2.5 in]
Product Length	21.7 mm[.854 in]

Usage Conditions

Operating Temperature (Max)	65 °C, 70 °C, 75 °C, 80 °C, 85 °C, 90 °C, 100 °C, 105 °C[149 °F][158 °F][167 °F][176 °F][185 °F][194 °F][212 °F][221 °F]
Operating Temperature Range	-30 – 105 °C[-22 – 221 °F]

Operation/Application

Shielded	No
Circuit Application	Signal

Industry Standards

UL Flammability Rating	UL 94HB
------------------------	---------

Packaging Features

Packaging Type	Tube
Packaging Quantity	35



Other

Interface Number	174047
------------------	--------

Product Compliance

[For compliance documentation, visit the product page on TE.com>](#)

EU RoHS Directive 2011/65/EU	Compliant
EU ELV Directive 2000/53/EC	Compliant
China RoHS 2 Directive MIIT Order No 32, 2016	No Restricted Materials Above Threshold
EU REACH Regulation (EC) No. 1907/2006	Current ECHA Candidate List: JAN 2021 (211) Candidate List Declared Against: JAN 2021 (211) Does not contain REACH SVHC
Halogen Content	Low Halogen - Br, Cl, F, I < 900 ppm per homogenous material. Also BFR/CFR/PVC Free
Solder Process Capability	Wave solder capable to 240°C

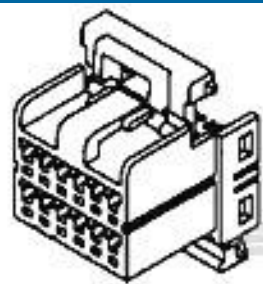
Product Compliance Disclaimer

This information is provided based on reasonable inquiry of our suppliers and represents our current actual knowledge based on the information they provided. This information is subject to change. The part numbers that TE has identified as EU RoHS compliant have a maximum concentration of 0.1% by weight in homogenous materials for lead, hexavalent chromium, mercury, PBB, PBDE, DBP, BBP, DEHP, DIBP, and 0.01% for cadmium, or qualify for an exemption to these limits as defined in the Annexes of Directive 2011/65/EU (RoHS2). Finished electrical and electronic equipment products will be CE marked as required by Directive 2011/65/EU. Components may not be CE marked. Additionally, the part numbers that TE has identified as EU ELV compliant have a maximum concentration of 0.1% by weight in homogenous materials for lead, hexavalent chromium, and mercury, and 0.01% for cadmium, or qualify for an exemption to these limits as defined in the Annexes of Directive 2000/53/EC (ELV). Regarding the REACH Regulation, the information TE provides on SVHC in articles for this part number is based on the latest European Chemicals Agency (ECHA) 'Guidance on requirements for substances in articles' posted at this URL: <https://echa.europa.eu/guidance-documents/guidance-on-reach>

Compatible Parts



TE Part # CAT-M9194-CH8172
MULTILOCK, CONNECTOR HOUSING



TE Part # 174046-4
040 MLC PLUG HSG 16P GREEN

Also in the Series | **Multilock Connector System**



Automotive Connector Caps & Covers (16)



Automotive Connector EMC Shielding (1)



Automotive Connector Locks & Position Assurance(2)



Automotive Headers(138)



Automotive Housings(576)



Automotive Seals & Cavity Plugs(2)



Automotive Terminals(142)



Insertion & Extraction Tools(6)



Other Automotive Connector Accessories(9)

Customers Also Bought



TE Part #1376357-8
SIGNAL HEADER



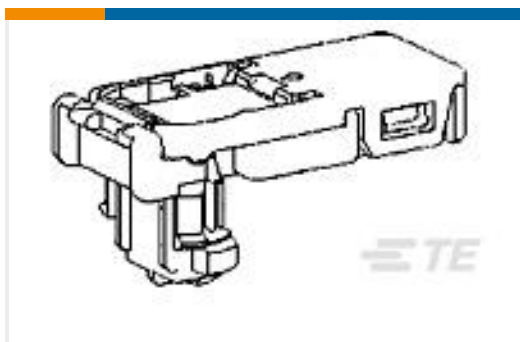
TE Part #DT06-3S-CE14
DEUTSCH DT Series Housings & Connectors



TE Part #1-2291392-0
MALE ASM, 1 POS, R/A, PCB, FAKRA



TE Part #1612684-1
060/187 ABS 26POS COVER ASSY



TE Part #1376688-1
11DIA SQUIB SLIM PLUG HSG YELL



TE Part #1376689-1
11DIA SQUIB SLIM LOCK BUTTON



TE Part #171882-1
MIC 13P CAP ASSY



TE Part #171894-1
MIC 9P CAP ASSY

Documents



Product Drawings

040 MULTILOCK I/O CONN 36PASSY

Japanese

CAD Files

3D PDF

3D

Customer View Model

[ENG_CVM_CVM_174146-2_H.2d_dxf.zip](#)

English

Customer View Model

[ENG_CVM_CVM_174146-2_H.3d_igs.zip](#)

English

Customer View Model

[ENG_CVM_CVM_174146-2_H.3d_stp.zip](#)

English

By downloading the CAD file I accept and agree to the [Terms and Conditions](#) of use.

Product Specifications

Product Specification

Japanese

Product Specification

Japanese

Instruction Sheets

Instruction Sheet (non U.S.)

English

040 SERIES MULTI-LOCK CONNECTOR

English