

INSULATING NUTS FOR CF8 FUSE

RoHS



Specifications

Material: Thermoplastic, Duroplastic
 Packaging Unit: Pos.1 = 250 pieces
 Pos.2 + 3 = 100 pieces

Ordering Information

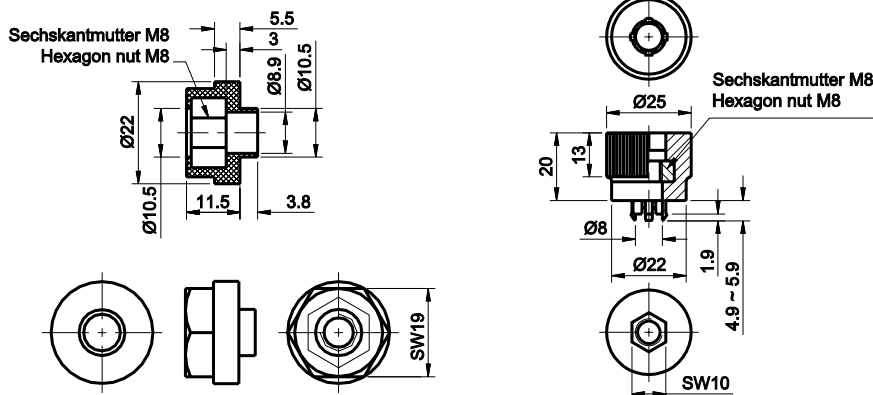
Part Number	Package Size
255.0808.xxx1	250
255.0899.xxx1	100

Description

Insulating nuts for CF8 Fuse links.

Dimensions

Dimensions in mm



Ratings

Part Number	Description	Contact Temperature
255.0808.0001	Insulating nut (Duroplastic)	max. 300 A (23°C+-5°C)
255.0899.4001	Insulating nut with locking hook 4.9 mm (Thermoplastic) (Red)	max. 150 A (23°C+-5°C)
255.0899.5001	Insulating nut with locking hook 5.9 mm (Thermoplastic) (Black)	max. 150 A (23°C+-5°C)

Corresponding fuse links see Section "Bolt-Down Fuses."
 If the ring terminal makes contact with the terminal fuse stud, the fuse is bypassed and is not protecting the circuit.