

# Grove & Qwiic/STEMMA QT Interface to Male/Female Jumper Cables

---



**seeed** studio  
The IoT Hardware Enabler



## SKU

This includes a Grove & Qwiic/STEMMA QT Interface to male jumper cable and female jumper cable in order to connect multiple Grove, Qwiic and STEMMA modules to development boards using one cable via the I2C Interface

## PRODUCT DETAILS

---

### Description

---

Do you want to connect multiple Grove, Qwiic, and STEMMA QT modules to your development boards using a single cable?

We bring you the Grove & Qwiic/STEMMA QT Interface to Male/Female Jumper Cables.

This includes two different cables: one having a male header on one end and the other having a female header on one end while both having Grove & Qwiic/STEMMA QT connectors on the other end.



Grove & Qwiic/STEMMA QT Interface to Male Jumper Cable



Grove & Qwiic/STEMMA QT Interface to Female Jumper Cable

## What is Grove?

---

Grove makes it easier to connect, experiment, and simplify the prototyping process. No jumpers or soldering is required. We have developed more than 300 Grove modules, covering a wide range of applications that can fulfill a variety of needs. Not only the hardware is open-source, but the software as well. Click [here](#) to learn more!



## What is Qwiic?

---

Different from our Grove system, Qwiic is an I2C interface system initiated by Sparkfun around 2017, using a 4pin JST SH 1.0mm connector. This allows it to be connected to various Qwiic modules to prototype your projects. Click [here](#) to learn more!

## What is STEMMA QT?

---

STEMMA QT initiated by Adafruit is cross-compatible with Qwiic and they use the same 4pin JST SH 1.0mm connector. This allows it to be connected to various STEMMA QT modules to prototype your projects. Click [here](#) to learn more!

Tip

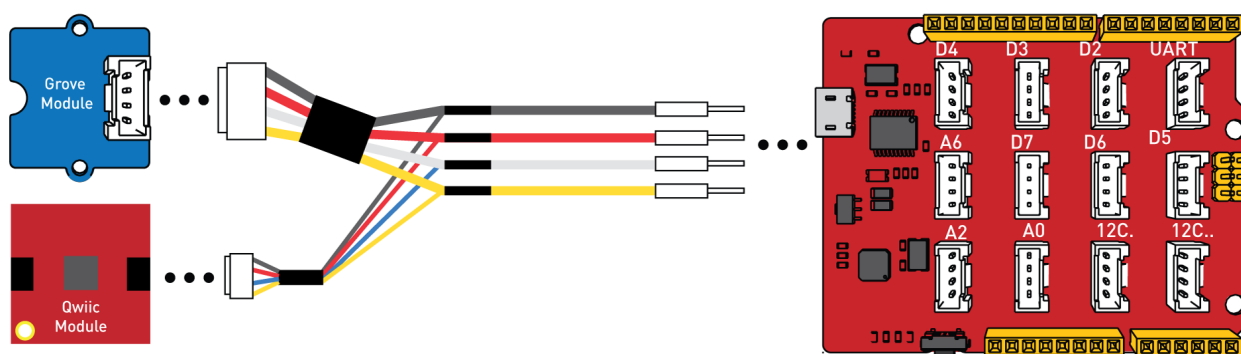
You can use the [Grove - Qwiic Hub](#) to further expand the number of I2C modules connected to a single I2C bus.

## Connections

---

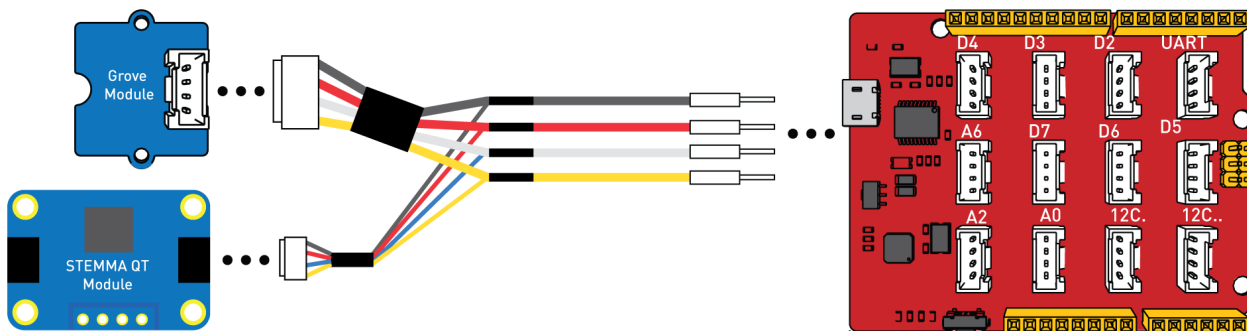
### Connect one Grove Module and one Qwiic Module to Seeduino Lotus V1.1 or Arduino UNO

---



### Connect one Grove Module and one STEMMA QT Module to Seeduino Lotus V1.1 or Arduino UNO

---



Note

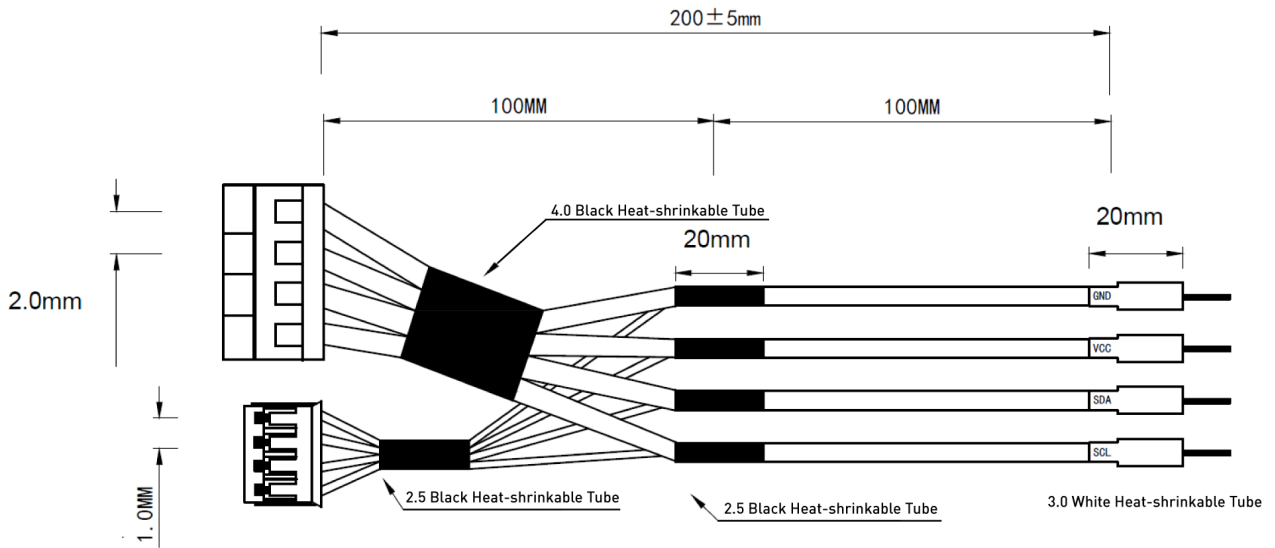
The Grove Connector in a single cable is buckled.

## Dimensions

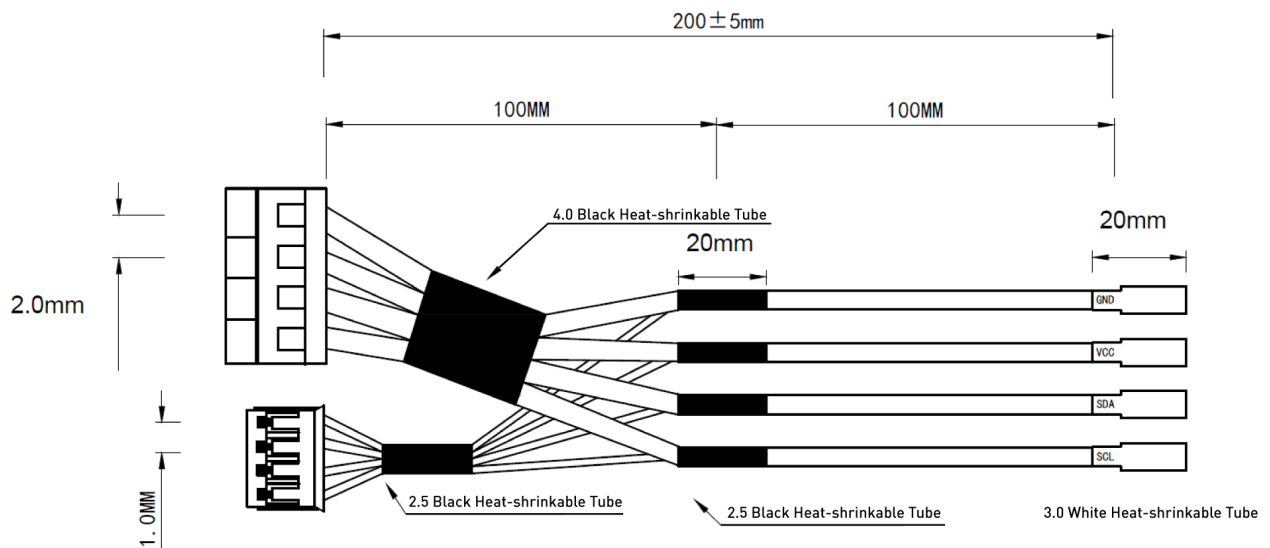
---

### Grove & Qwiic/STEMMA QT Interface to Male Jumper Cable

---



## Grove & Qwiic/STEMMA QT Interface to Female Jumper Cable



## Parts List

- 1 x Grove & Qwiic/STEMMA QT Interface to Male Jumper Cable
- 1 x Grove & Qwiic/STEMMA QT Interface to Female Jumper Cable

## ECCN/HTS

HSCODE 8544421900

UPC