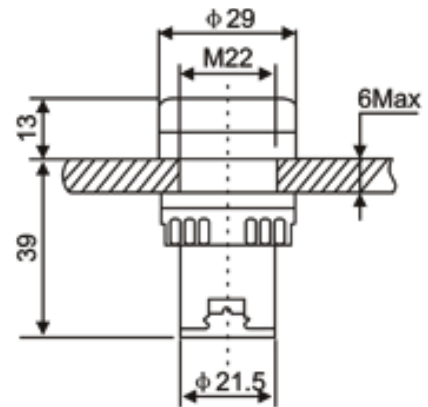


Features

- Multi-chip LED technology
- Modern and effective replacement for traditional 22mm pilot lights
- Low power consumption but brighter than standard incandescent indicators
- Screw cover is colour coded to lens colour to aid identification during installation
- Up to 400% more efficient than traditional incandescent indicators
- Back of panel lock nut fixing
- Screw clamp terminals
- IP65 rated (Front of panel)



Specification

Current	20 mA
Flush-Mounted ϕ	22 mm
LED Diameter	29 mm
Protection Rating	IP65
Termination Type	Screw Terminal
Dimensions ϕ x L	21.5 x 52 mm
Number of Chips (Red/Amber)	8
Number of Chips (Green/Blue/White)	Pure 1
Wavelength Green	6300 nm
Wavelength Amber	5600 nm
Wavelength Red	470 nm
White Colour Temperature	10659 K
Operating Temperature	-25 ... 55 °C
Relative Humidity	\leq 85%
Life Expectancy	30000 Hours
Material: Plastic Enclosure	PBT
Material: Legend Plate	PBT
Flammability Rating	UL94-V0

Product Range

Art Nr. - Voltage



RND 210-00039 - 24 V
 RND 210-00041 - 230 VAC
 RND 210-00044 - 110 VAC
 RND 210-00054 - 12 V

RND 210-00040 - 24 V
 RND 210-00042 - 230 VAC
 RND 210-00045 - 110 VAC
 RND 210-00049 - 12 V

RND 210-00043 - 24 V
 RND 210-00047 - 110 VAC
 RND 210-00053 - 230 VAC
 RND 210-00058 - 12 V

RND 210-00046 - 24 V
 RND 210-00050 - 230 VAC
 RND 210-00051 - 110 VAC
 RND 210-00055 - 12 V

RND 210-00048 - 24 V
 RND 210-00052 - 230 VAC
 RND 210-00056 - 110 VAC
 RND 210-00057 - 12 V