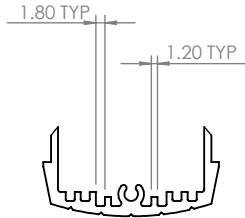
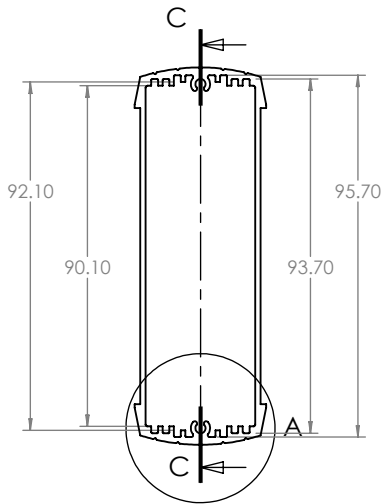
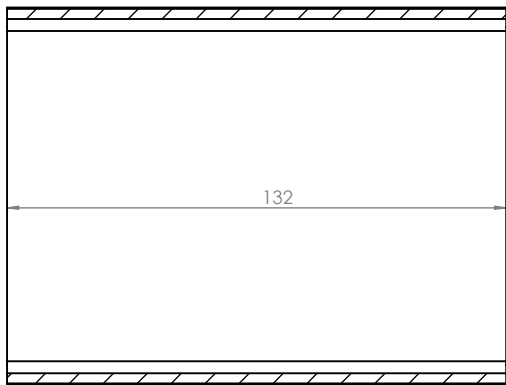
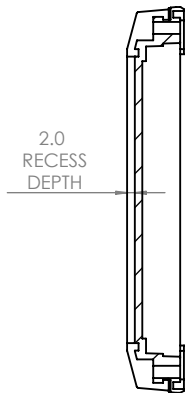


SECTION C-C

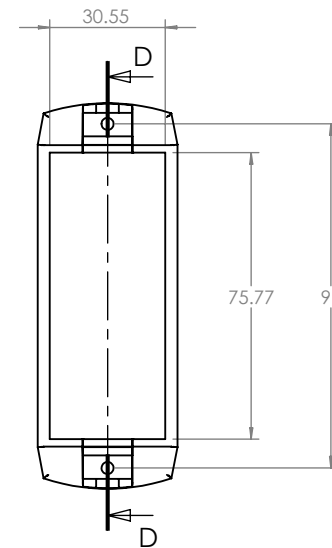


DETAIL A

SECTION D-D

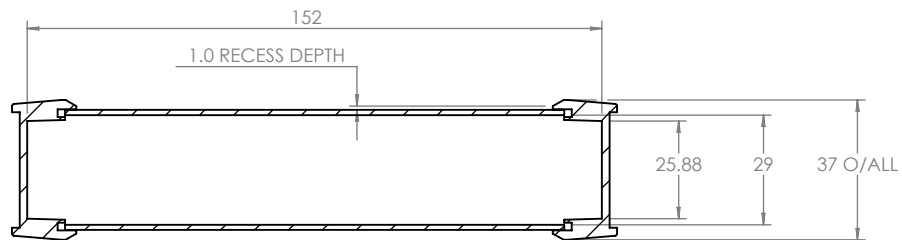


END COVER

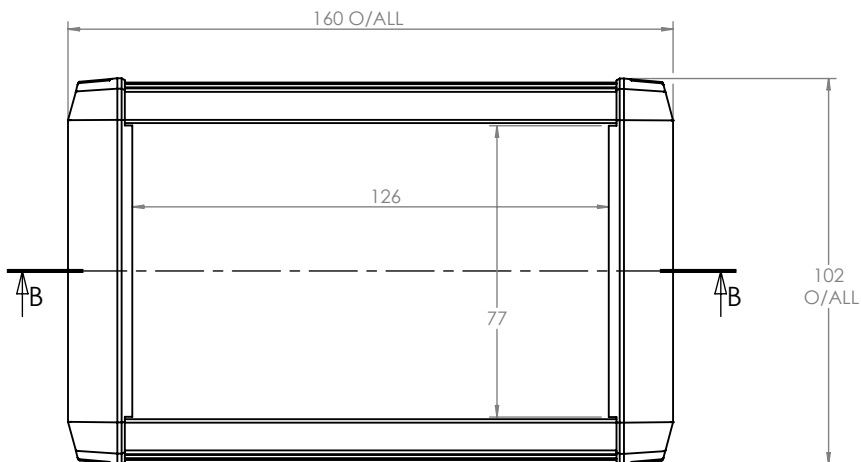


PROFILE

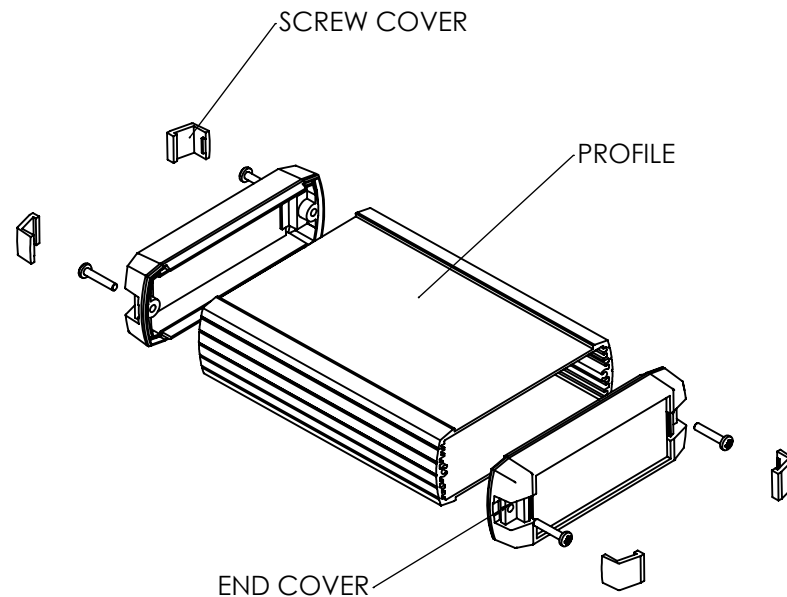
ASSEMBLY



SECTION B-B



ISO VIEW
1:3



JAMES CARTER RD, MILDENHALL, SUFFOLK. IP28 7DE
TEL: 01638 716101 FAX: 01638 716554
EMAIL: Sales@CamdenBoss.com
WEB: www.CamdenBoss.com

UNLESS OTHERWISE SPECIFIED:
DIMENSIONS ARE IN MILLIMETERS

FINISH:
EPOXY PAINT

MATERIAL:
ALUMINIUM

DO NOT SCALE DRAWING

REVISION. 0

TITLE:

GNL ASSEMBLY DRG FOR
55 SERIES

DWG NO.

CEAREPB03

A4

	NAME	SIGNED	DATE
DRAWN	IAN PAGANO	I.P.	06/08/13
CHKD	-	-	-

PROJECTION.



SCALE: 1 : 2

SHEET 1 OF 1