

GN 707.2 | Dismountable split set collars

clamping assembly, steel, stainless steel or aluminium



- 1
- 2
- 3
- 4
- 5
- 6
- 7
- 8
- 9
- 10
- 11
- 12
- 13
- 14
- 15
- 16
- 17
- 18

STANDARD EXECUTIONS

Clamping assembly by means of phosphatised steel class 8.8 (GN 707.2-ST) or AISI 304 stainless steel (GN 707.2-NI and GN 706.2-AL) grub screws, cylindrical head with hexagon socket.

Threaded pass-through hole ($d1 = 20 \div 36$).
Threaded blind hole ($d1 \geq 42$).

- **GN 707.2-ST**: sintered black-oxide steel.
- **GN 707.2-AL**: natural aluminium.
- **GN 707.2-NI**: AISI 316LHC sintered stainless steel.

FEATURES AND APPLICATIONS

GN 707.2 semi-split set collars can be used not only as end stops, but they can also be used for fixing other components, such as end limit switches.

No risk of damage to the surfaces of the shaft even when high clamping forces are necessary.

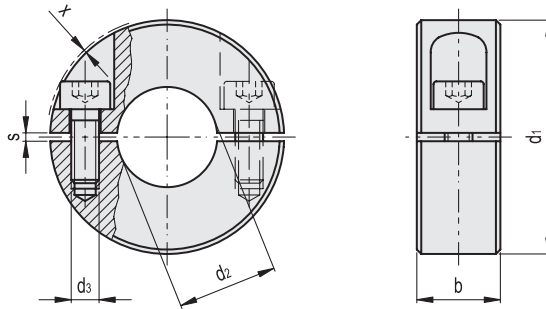
The clamping screws d3 may be replaced by clamping kit GN 311 (see page -).

TECHNICAL DATA

Assembly on h11 tolerance shafts.

SPECIAL EXECUTIONS ON REQUEST

AISI 316 (GN 707.2-A4) stainless steel executions.



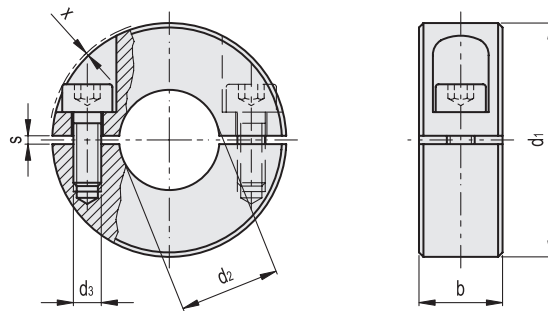
GN 707.2-ST

GN 707.2-AL

Code	Description	Code	Description	d1	d2 H10	d3	b±0.2	s	x*	△
GN.36776	GN 707.2-20-B6-ST	GN.36843	GN 707.2-20-B6-AL	20	6	M3	9	2.1	1	20
GN.36778	GN 707.2-22-B8-ST	GN.36844	GN 707.2-22-B8-AL	22	8	M3	9	2.1	0.8	20
GN.36780	GN 707.2-26-B10-ST	GN.36847	GN 707.2-26-B10-AL	26	10	M4	11	2.1	1.6	60
GN.36782	GN 707.2-30-B12-ST	GN.36848	GN 707.2-30-B12-AL	30	12	M4	11	2.1	0.7	40
GN.36784	GN 707.2-32-B14-ST	GN.36853	GN 707.2-32-B14-AL	32	14	M4	11	2.1	0.7	40
GN.36786	GN 707.2-36-B15-ST	GN.36854	GN 707.2-36-B15-AL	36	15	M5	13	2.1	1.4	65
GN.36788	GN 707.2-36-B16-ST	GN.36857	GN 707.2-36-B16-AL	36	16	M5	13	2.1	1.4	60
GN.36790	GN 707.2-42-B18-ST	GN.36858	GN 707.2-42-B18-AL	42	18	M5	15	3	0.6	104
GN.36792	GN 707.2-42-B20-ST	GN.36863	GN 707.2-42-B20-AL	42	20	M5	15	3	0.6	98
GN.36794	GN 707.2-48-B22-ST	GN.36864	GN 707.2-48-B22-AL	48	22	M5	15	3	0	135
GN.36796	GN 707.2-48-B25-ST	GN.36867	GN 707.2-48-B25-AL	48	25	M5	15	3	0	122
GN.36798	GN 707.2-55-B28-ST	GN.36868	GN 707.2-55-B28-AL	55	28	M6	15	3	0.4	165
GN.36800	GN 707.2-55-B30-ST	GN.36873	GN 707.2-55-B30-AL	55	30	M6	15	3	0.4	156
GN.36802	GN 707.2-60-B32-ST	GN.36874	GN 707.2-60-B32-AL	60	32	M6	15	4	0.4	187
GN.36804	GN 707.2-60-B35-ST	GN.36877	GN 707.2-60-B35-AL	60	35	M6	15	4	0.4	174
GN.36806	GN 707.2-65-B40-ST	GN.36878	GN 707.2-65-B40-AL	65	40	M6	15	4	0.5	189

Standard machine parts

* Max protrusion of the screw head.



GN 707.2-NI

INOX STAINLESS STEEL

Code	Description	d1	d2 H10	d3	b±0.2	s	x*	⚖️
GN.36775	GN 707.2-20-B6-NI	20	6	M3	9	2.1	1	20
GN.36777	GN 707.2-22-B8-NI	22	8	M3	9	2.1	0.8	20
GN.36779	GN 707.2-26-B10-NI	26	10	M4	11	2.1	1.6	60
GN.36781	GN 707.2-30-B12-NI	30	12	M4	11	2.1	0.7	40
GN.36783	GN 707.2-32-B14-NI	32	14	M4	11	2.1	0.7	40
GN.36785	GN 707.2-36-B15-NI	36	15	M5	13	2.1	1.4	65
GN.36787	GN 707.2-36-B16-NI	36	16	M5	13	2.1	1.4	60
GN.36789	GN 707.2-42-B18-NI	42	18	M5	15	3	0.6	104
GN.36791	GN 707.2-42-B20-NI	42	20	M5	15	3	0.6	98
GN.36793	GN 707.2-48-B22-NI	48	22	M5	15	3	0	135
GN.36795	GN 707.2-48-B25-NI	48	25	M5	15	3	0	122
GN.36797	GN 707.2-55-B28-NI	55	28	M6	15	3	0.4	165
GN.36799	GN 707.2-55-B30-NI	55	30	M6	15	3	0.4	156
GN.36801	GN 707.2-60-B32-NI	60	32	M6	15	4	0.4	187
GN.36803	GN 707.2-60-B35-NI	60	35	M6	15	4	0.4	174
GN.36805	GN 707.2-65-B40-NI	65	40	M6	15	4	0.5	189

* Max protrusion of the screw head.

Standard machine parts