

Product information

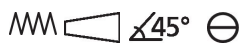
35 42 115

Electronics Pliers

DIN ISO 9655



- Precision pliers for fine assembly work, e.g. in electronics and fine mechanics
- For gripping, holding and bending
- Sturdy, zero backlash box joint
- Smooth ground gripping surfaces
- Edges carefully deburred
- Low-friction double spring for gentle and even opening
- The polish or mirror polish together with a fine film of oil offer effective rust protection - no circuit faults caused by peeling chrome from plated tools
- 45° bent, half-round jaws
- Ball bearing chrome steel, oil hardened

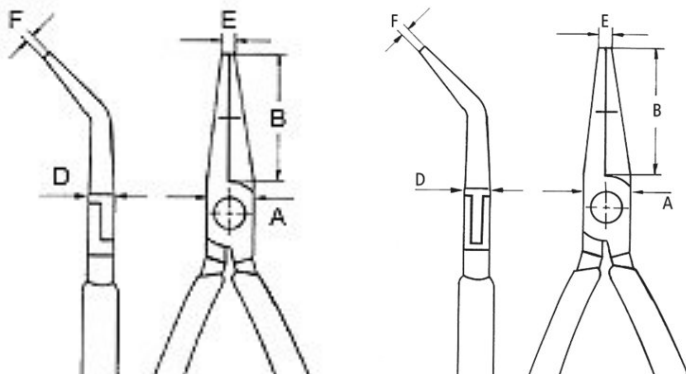


General

Article No.	35 42 115
EAN	4003773040736
Head	mirror polished
Handles	with multi-component grips
weight	70 g
Dimensions	115 x 67 x 17 mm
Standard	DIN ISO 9655
Reach	no
RohS	no

Technical details

Style	4
	22.5 mm
	6.5 mm
Tips width (E)	2.0 mm
Tips thickness (F)	1.5 mm
Head width (A)	11.0 mm
Dimensions angle	45



Classification

eCl@ss 5.1.4	21040301
proficl@ss 6.0	EAA840c015
UNSPSC 13.1	27112149

technical change and errors excepted

