



## Link set, +insulating plates, 4p, /1p

**Part no.** NZM4-4-XKVI1P  
**Article no.** 180019

### Delivery programme

Number of poles			1 pole
Accessories			DC link kit
Number of conductors			4
			Jumper kit with insulating plates, phase isolators IP00 and heat sinks
Rated current	$I_n$	A	1260 (40 °C, 1138 (65 °C)
For use with			N4-4-(800)(1000)(1250)(1400)-S1(-S15)-DC N4-4-...-S1(-S15)-PV-NA
<b>Notes</b>			
Model contains parts for upper switch side for 4 pole switches N...-DC that are used as 1 pole switches for DC.			
The links each connect contacts in series.			
Incoming unit and outgoer at bottom or top, user-definable.			
See figure connection type.			

### Design verification as per IEC/EN 61439

IEC/EN 61439 design verification			
10.2 Strength of materials and parts			
10.2.2 Corrosion resistance			Meets the product standard's requirements.
10.2.3.1 Verification of thermal stability of enclosures			Meets the product standard's requirements.
10.2.3.2 Verification of resistance of insulating materials to normal heat			Meets the product standard's requirements.
10.2.3.3 Verification of resistance of insulating materials to abnormal heat and fire due to internal electric effects			Meets the product standard's requirements.
10.2.4 Resistance to ultra-violet (UV) radiation			Meets the product standard's requirements.
10.2.5 Lifting			Does not apply, since the entire switchgear needs to be evaluated.
10.2.6 Mechanical impact			Does not apply, since the entire switchgear needs to be evaluated.
10.2.7 Inscriptions			Meets the product standard's requirements.
10.3 Degree of protection of ASSEMBLIES			Does not apply, since the entire switchgear needs to be evaluated.
10.4 Clearances and creepage distances			Meets the product standard's requirements.
10.5 Protection against electric shock			Does not apply, since the entire switchgear needs to be evaluated.
10.6 Incorporation of switching devices and components			Does not apply, since the entire switchgear needs to be evaluated.
10.7 Internal electrical circuits and connections			Is the panel builder's responsibility.
10.8 Connections for external conductors			Is the panel builder's responsibility.
10.9 Insulation properties			
10.9.2 Power-frequency electric strength			Is the panel builder's responsibility.
10.9.3 Impulse withstand voltage			Is the panel builder's responsibility.
10.9.4 Testing of enclosures made of insulating material			Is the panel builder's responsibility.
10.10 Temperature rise			The panel builder is responsible for the temperature rise calculation. Eaton will provide heat dissipation data for the devices.
10.11 Short-circuit rating			Is the panel builder's responsibility. The specifications for the switchgear must be observed.
10.12 Electromagnetic compatibility			Is the panel builder's responsibility. The specifications for the switchgear must be observed.
10.13 Mechanical function			The device meets the requirements, provided the information in the instruction leaflet (IL) is observed.

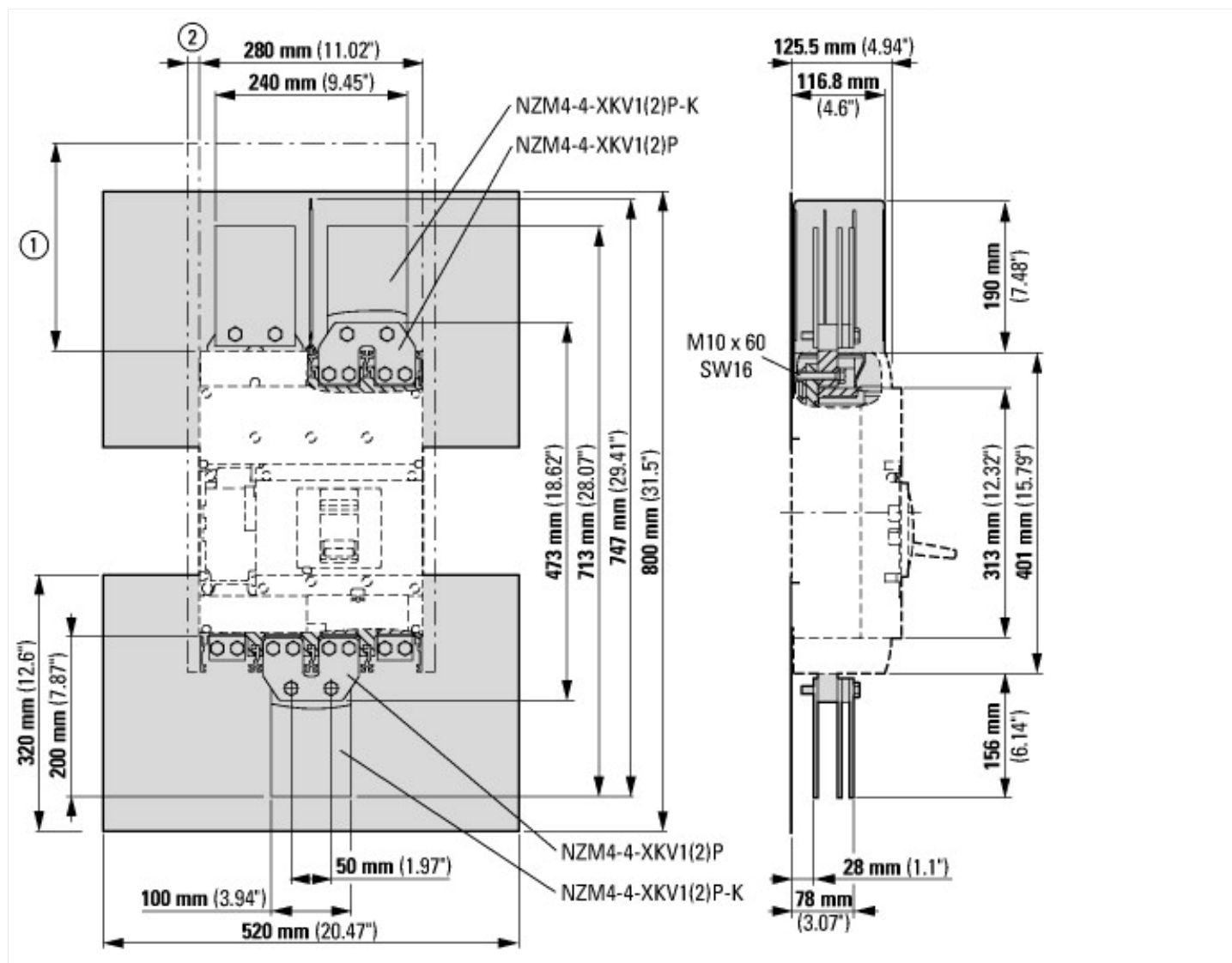
### Technical data ETIM 6.0

Low-voltage industrial components (EG000017) / Wiring set for power circuit breaker (EC002050)			
Electric engineering, automation, process control engineering / Low-voltage switch technology / Circuit breaker (LV < 1 kV) / Wiring set for circuit breaker (ec1@ss8.1-27-37-04-24 [ACN957008])			
Suitable for number of poles			1
Model			-

## Approvals

Product Standards	UL 489B; IEC 60947-3; CE marking
UL File No.	E471671
CSA File No.	-
CSA Class No.	-
North America Certification	UL listed
Current Limiting Circuit-Breaker	No
Max. Voltage Rating	1500 VDC
Degree of Protection	IEC: IP20; UL/CSA Type: -

## Dimensions



## Additional product information (links)

IL01210016Z (AWA1230-2506) Jumper kit for N4-DC switch-disconnector, with shroud

IL01210016Z (AWA1230-2506) Jumper kit for N4- [ftp://ftp.moeller.net/DOCUMENTATION/AWA\\_INSTRUCTIONS/IL01210016Z2016\\_02.pdf](ftp://ftp.moeller.net/DOCUMENTATION/AWA_INSTRUCTIONS/IL01210016Z2016_02.pdf)  
DC switch-disconnector, with shroud