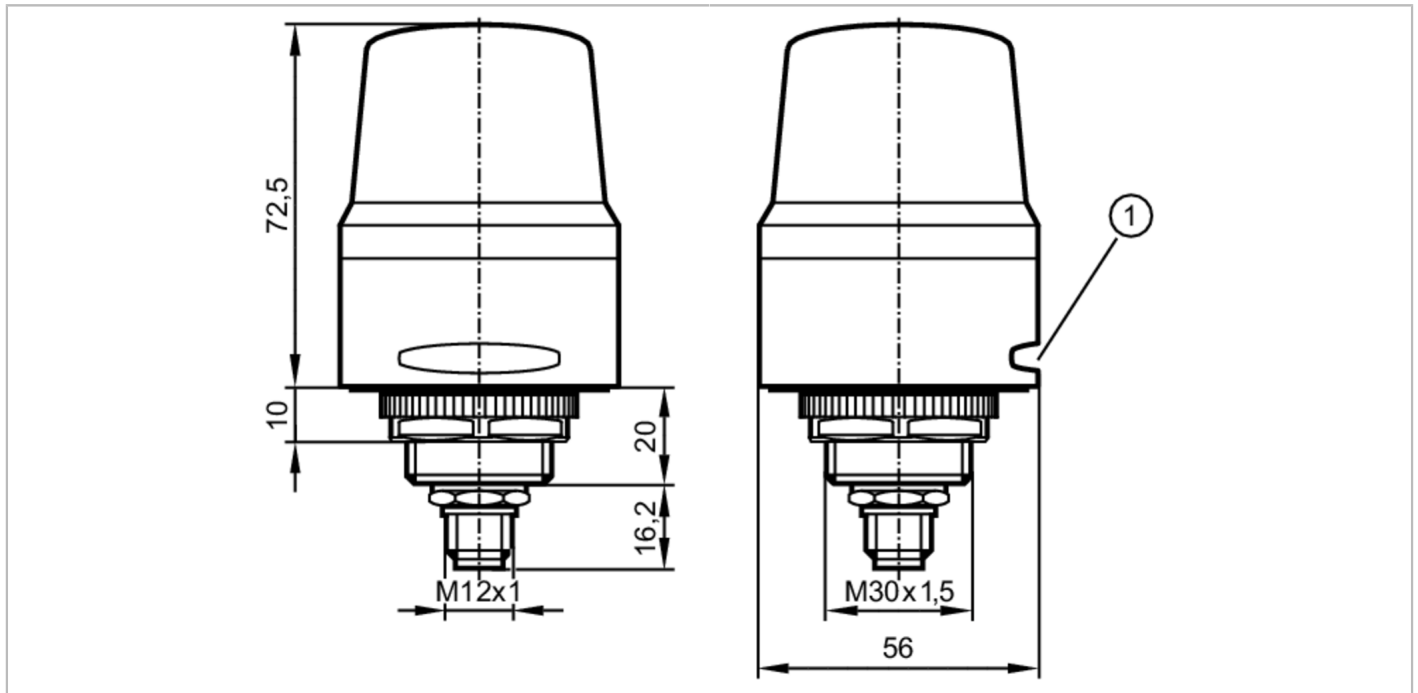


# DV2130



## 1-segment signal lamp

LED-Lamp/IO-Link/Buzzer



### Application

Application: signalling machine conditions

### Electrical data

Operating voltage	[V]	18...30 DC; (to SELV/PELV)
Nominal voltage DC	[V]	24
Max. current consumption	[mA]	90

### Interfaces

Communication interface	IO-Link	
Transmission type	COM2 (38.4 kBaud)	
IO-Link revision	1.1	
SDCI standard	IEC 61131-9	
IO-Link device ID	1085 d / 00 04 3D h	
SIO mode	yes	
Required master port type	A	
Min. process cycle time	[ms]	2.3

### Operating conditions

Ambient temperature	[°C]	-25...50
Storage temperature	[°C]	-40...75
Max. relative air humidity	[%]	90
Max. height above sea level	[m]	4000
Protection		IP 65
Degree of soiling		2

# DV2130



## 1-segment signal lamp

LED-Lamp/IO-Link/Buzzer

Mechanical data	
Weight [g]	166.5
Dimensions [mm]	Ø 56 / L = 72.5
Materials	housing: PC
Displays / operating elements	
Display	LED segment, red / green / yellow / blue / lilac / cyan / white
Acoustic signal	buzzer
Max. sound pressure [dB]	90
Remarks	
Remarks	For further information please see the operating instructions.
Pack quantity	1 pcs.
Electrical connection - plug	
IO-Link	
1	UB+
2	not used
3	UB-
4	IO-Link
5	not used
standard mode	
1	IN1 red
2	IN2 green
3	GND
4	buzzer
5	IN3 blue

Connector: M12