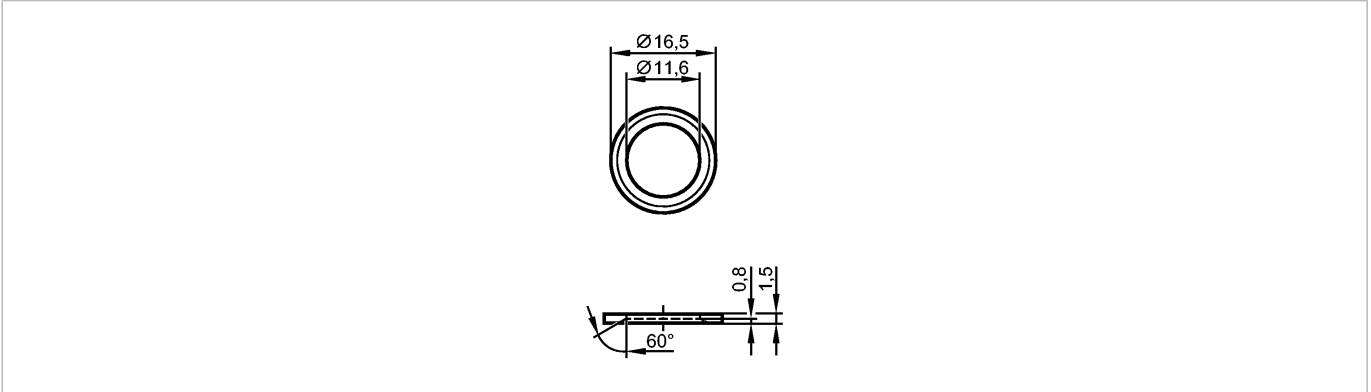




SEAL RING DIN3869 G1/4 FPM

Accessories



Product characteristics

Formdichtung

DIN 3869 - 14

Mechanical data

for units with process connection

G ¼ A

Housing materials

FKM

Weight [kg]

0.004

Remarks

Pack quantity [piece]

10