



**Part no.: 50141658**  
**TFM 05 1625.210**  
**Transponder**



Figure can vary

## Contents

- Technical data
- Dimensioned drawings

Part no.: 50141658 – TFM 05 1625.210 – Transponder

## Technical data

<b>Basic data</b>	
Series	TFM
Suitable for	RFM
Chip	NXP ICODE SLI
Working frequency	13.56 MHz

<b>Electrical data</b>	
<b>Performance data</b>	
Memory access	Read/Write
Memory size	256 B
Memory block	64 Piece(s)
Memory block size	4 B
Storage time	50 ms
Memory type	EEPROM
Number of write cycles	10 to the power of 5
Number of read cycles	unlimited

<b>Certifications</b>	
Standards applied	ISO 15693

<b>Mechanical data</b>	
Design	Disc
Thickness	6 mm
Outer diameter	50 mm
Inner diameter	5 mm
Housing material	Plastic , LCP (Liquid Crystal Polymer)
Net weight	16.9 g

<b>Environmental data</b>	
Ambient temperature, operation	-25 ... 150 °C
Ambient temperature, storage, time-limited	-40 ... +250 °C = 1,000 h or 1,000 cycles

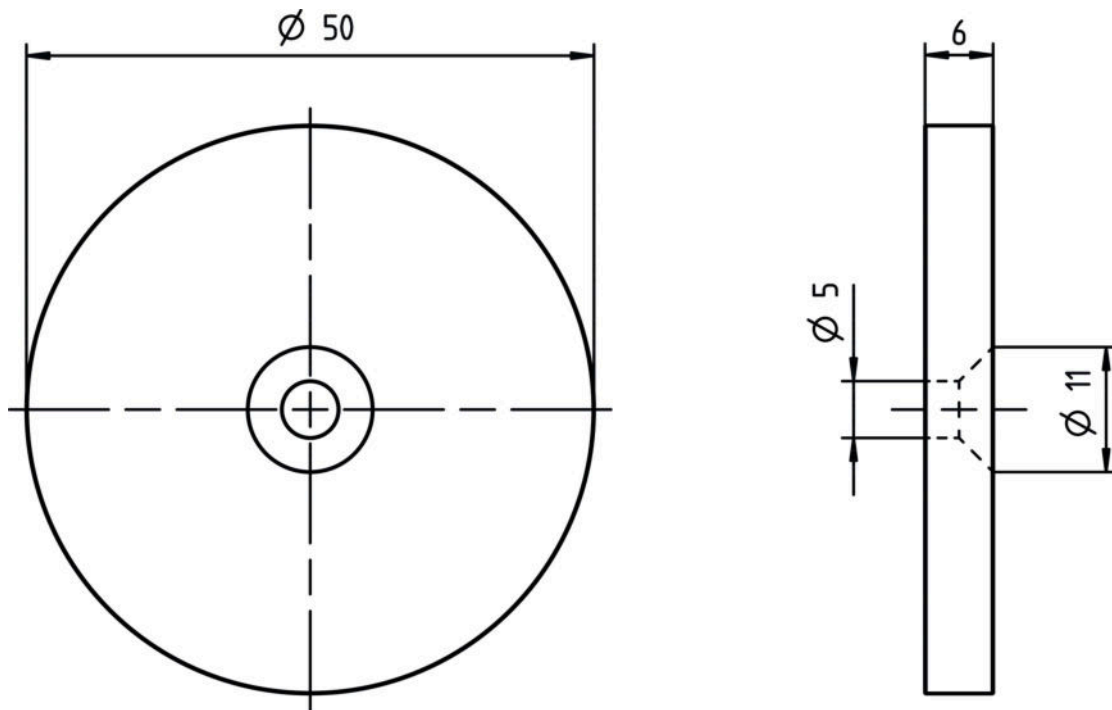
<b>Certifications</b>	
Degree of protection	IP 68 IP 69K

<b>Classification</b>	
Customs tariff number	85235200
eCl@ss 8.0	27289290
eCl@ss 9.0	27280402
ETIM 5.0	EC002996
ETIM 6.0	EC002996

## Dimensioned drawings

All dimensions in millimeters



## Notes