

MSUD valve plug form A 18mm with cable

PVC 3x0.75 bk 2m

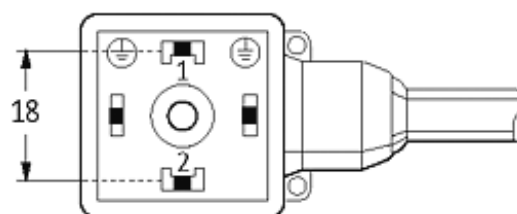
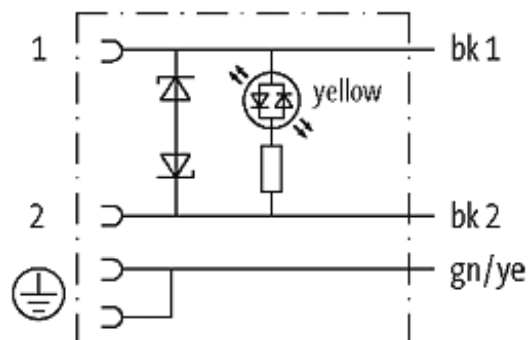
Form A (18 mm)

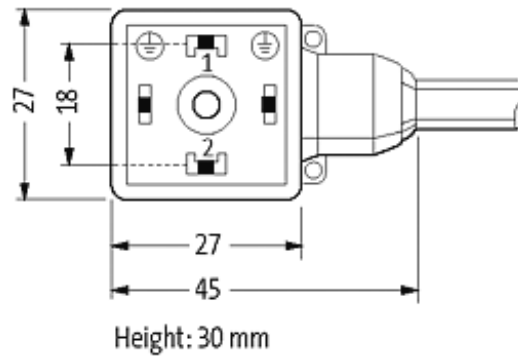
110 V AC/DC with LED and suppression

Further cable lengths on request. Plastic housings with good resistance against chemicals and oils. The resistance to aggressive media should be individually tested for your application. Further details on request.

[Link to Product](#)

Illustration





Product may differ from Image