

## M12 male 0° / RJ45 male 0° shielded Ethernet

PUR 2x2xAWG22 shielded gn UL,CSA+dragch. 1,5m

Ethernet CAT 5, D-coded

Rear mounting

Mounting nut

Male straight to male straight

M12 - RJ45

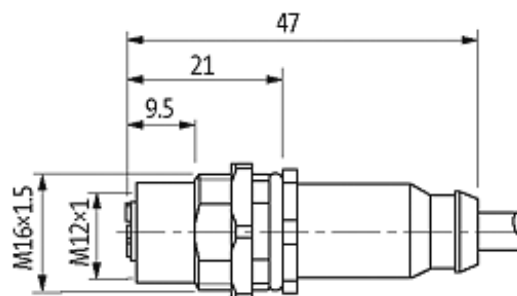
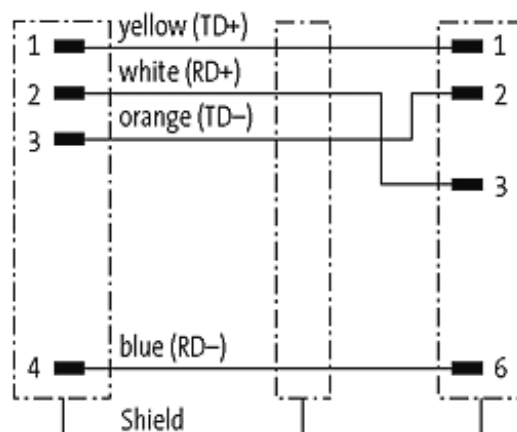
4-pole, shielded

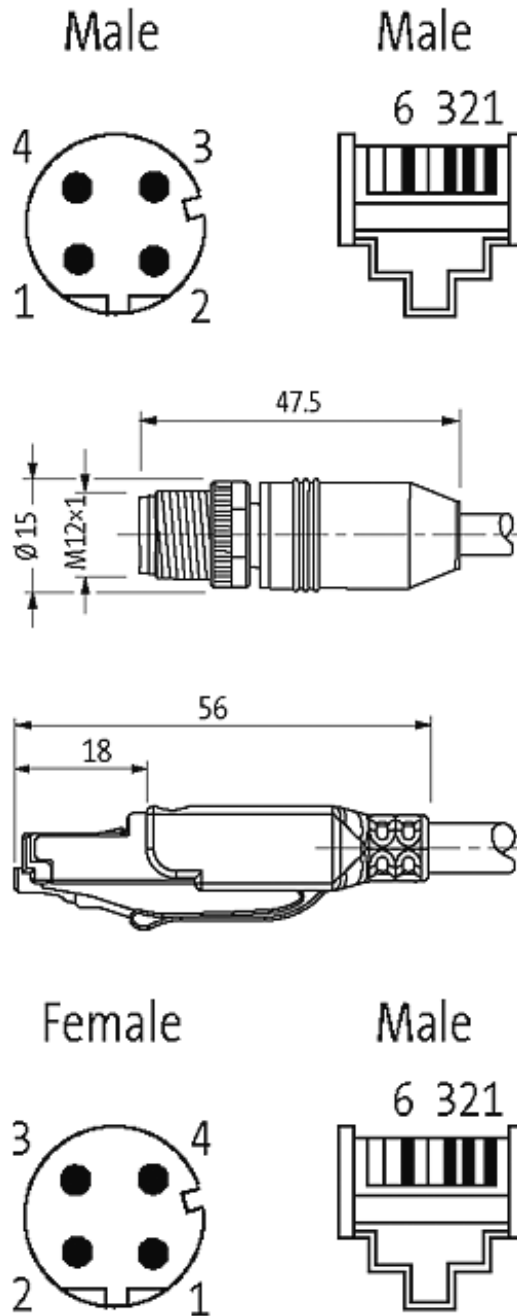
Flange female straight - male straight

Further cable lengths on request. The resistance to aggressive media should be individually tested for your application. Further details on request. Plastic housings with good resistance against chemicals and oils.

### [Link to Product](#)

#### Illustration





Product may differ from Image

**Approvals**



**More Info**



**Form**

44711

**Technical Data**

Operating voltage	60 V DC
Transfer parameters	CAT5, class D (ISO/IEC 11801:2002), (EN 50173-1)
Locking of ports	Screw thread M12 × 1 mm (recommended torque 0.6 Nm) self-securing
Operating current per contact	max. 1.76 A
Transfer rate	10/100 Mbit/s full duplex
Protection	IP67 (M12) - IP20 (RJ45)

**Cables**

Cable number	796
No./diameter of wires	2 × 2 × AWG22
Wire isolation	PE (wh, ye, bl, or)
C-track properties	2 Mio.
Jacket Color	green
Shore hardness outer jacket	90 ± 5A
Material (jacket)	PUR (UL/CSA)
Outer diameter	approx. 6.7 mm
Bend radius (fixed)	5 × outer Ø
Bend radius (moving)	15 × outer Ø
Temperature range (fixed)	-40...+80 °C
Temperature range (mobile)	-20...+60 °C
Shielded	yes

**General data**

Temperature range	-25...+85 °C, depending on cable quality
-------------------	--

**Commercial data**

country of origin	DE
customs tariff number	85444210
minimum order quantity	1