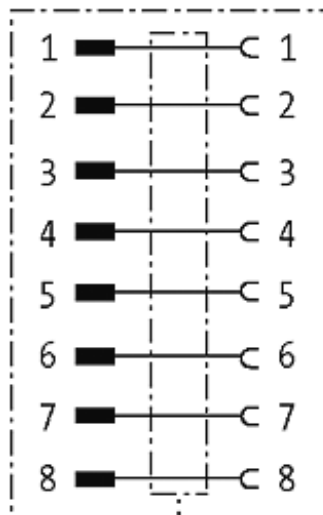
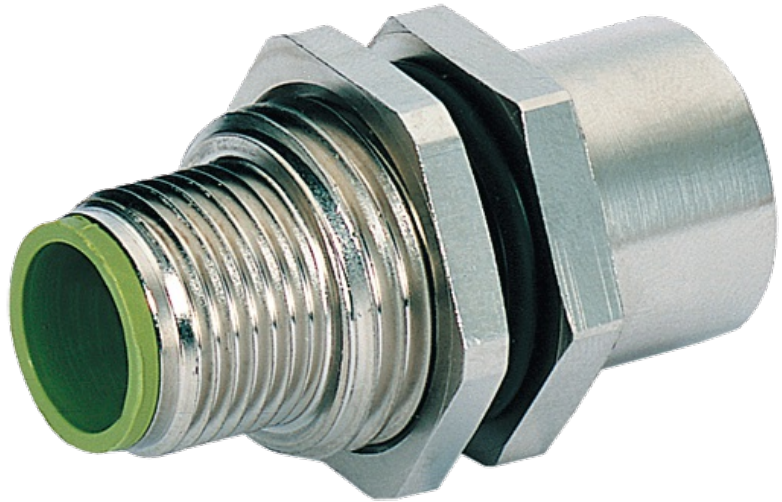


## M12-PANEL FEED THROUGH 8POLE A CODED

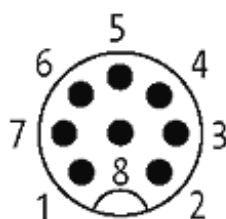
Control cabinet entry system M12  
A-coded, 8-pole, shielded

### [Link to Product](#)

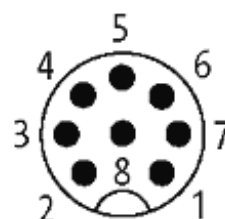
#### Illustration

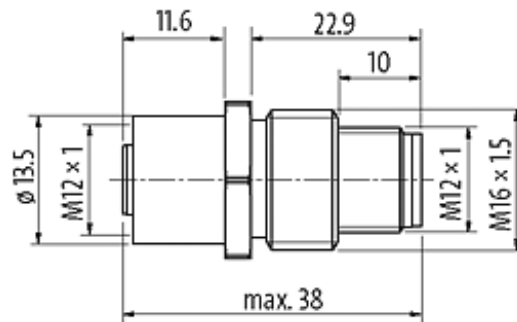


Male



Female





Product may differ from Image

**Form**

48111

**Technical Data**

Operating voltage	max. 30 V AC/DC
Operating current per contact	max. 1.5 A
Protection	IP67 inserted and tightened (EN 60529)

**General data**

Mounting set	M16 × 1.5 mm
Temperature range	-25...+85 °C

**Commercial data**

country of origin	CZ
customs tariff number	85369010
minimum order quantity	1