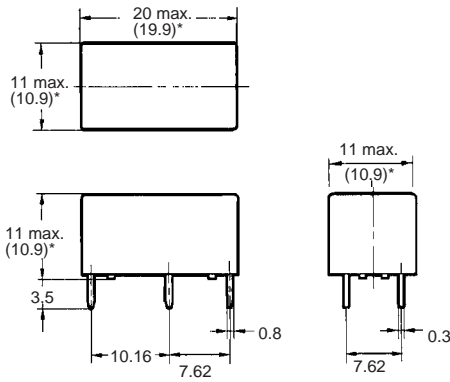
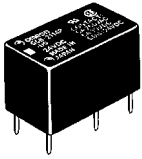
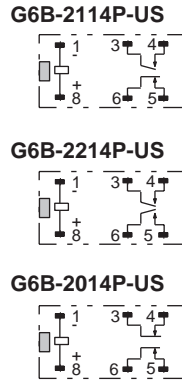


**G6B-2114P-US
G6B-2214P-US
G6B-2014P-US**

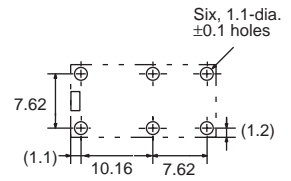


*Average value

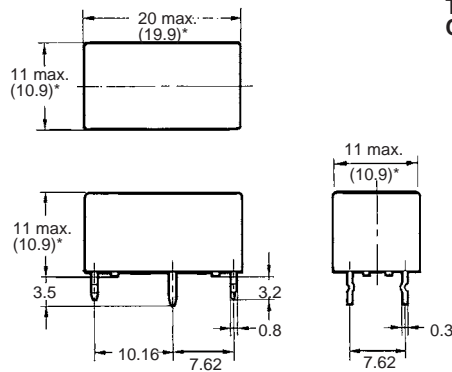
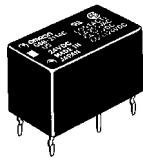
Terminal Arrangement/Internal Connections (Bottom View)



Mounting Holes (Bottom View)
Tolerance: ± 0.1

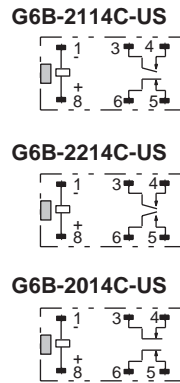


**G6B-2114C-US
G6B-2214C-US
G6B-2014C-US**

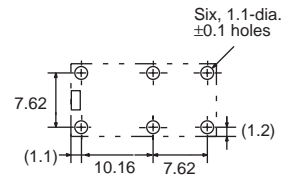


*Average value

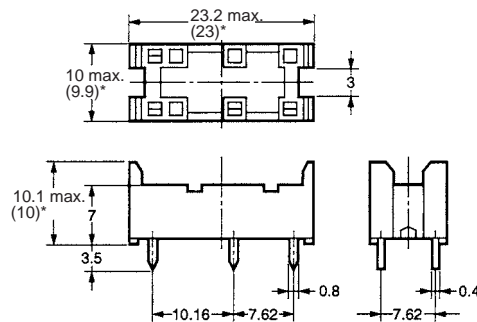
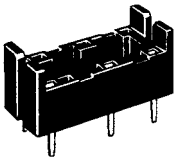
Terminal Arrangement/Internal Connections (Bottom View)



Mounting Holes (Bottom View)
Tolerance: ± 0.1



**Back Connecting Socket
P6B-04P**



*Average value

Mounting Holes (Bottom View)

