



Life Energy Motion

**Product Change Notification**  
**PCN-072\_2022\_1-OMTG2217301**  
**Small case design adjustments**  
**IN500-1K series**

Geneva, 12<sup>th</sup> January 2023

**Additional information + first date code (see in red)**

Based on the JEDEC Standard JESD46 standard (latest release)

Not for publication unless permission is granted by LEM

Dear customer,

To answer to continuous market requirement for improved performances, and in a permanent effort to improve the quality of its products, LEM intends to proceed to some modification on **IN500-1K series**.

**Concerned products:**

**IN 1000-S; IN 1000-S/SP1; IN 1000-S/SP2;**

**IN 1200-S;**

**IN 500-S; IN 500-S/SP1;**

we confirm you that LEM is now producing the model **IN 1000-S/SP1** according to the change explained on the next page, and from the date code **122326**.

**Explanation on the date code:**

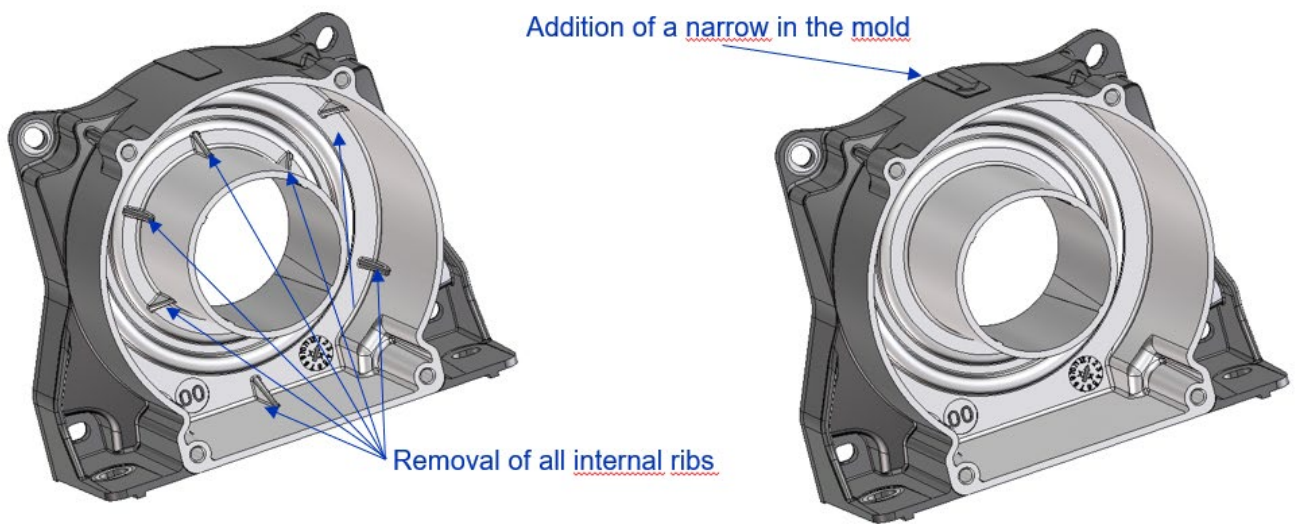
- "1" means the production center, here LEM in Geneva (Switzerland)
- "22" means the year of the production, here the year 2022
- "326" means the day of the production, here the 326<sup>th</sup> day of the year 2022 (22<sup>nd</sup> November 2022)



**Change:**

➤ ***Description of the technical change:***

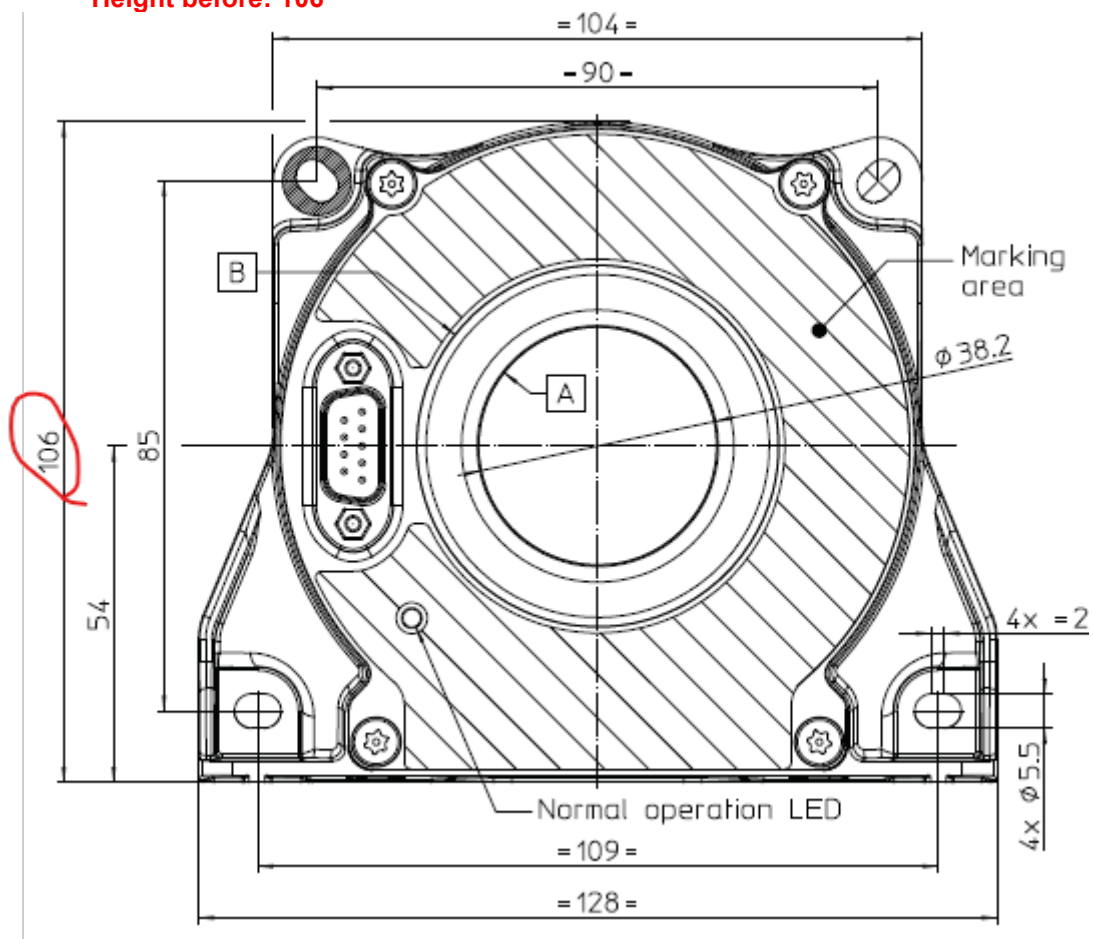
Small case design adjustments as follows (current version vs new version)



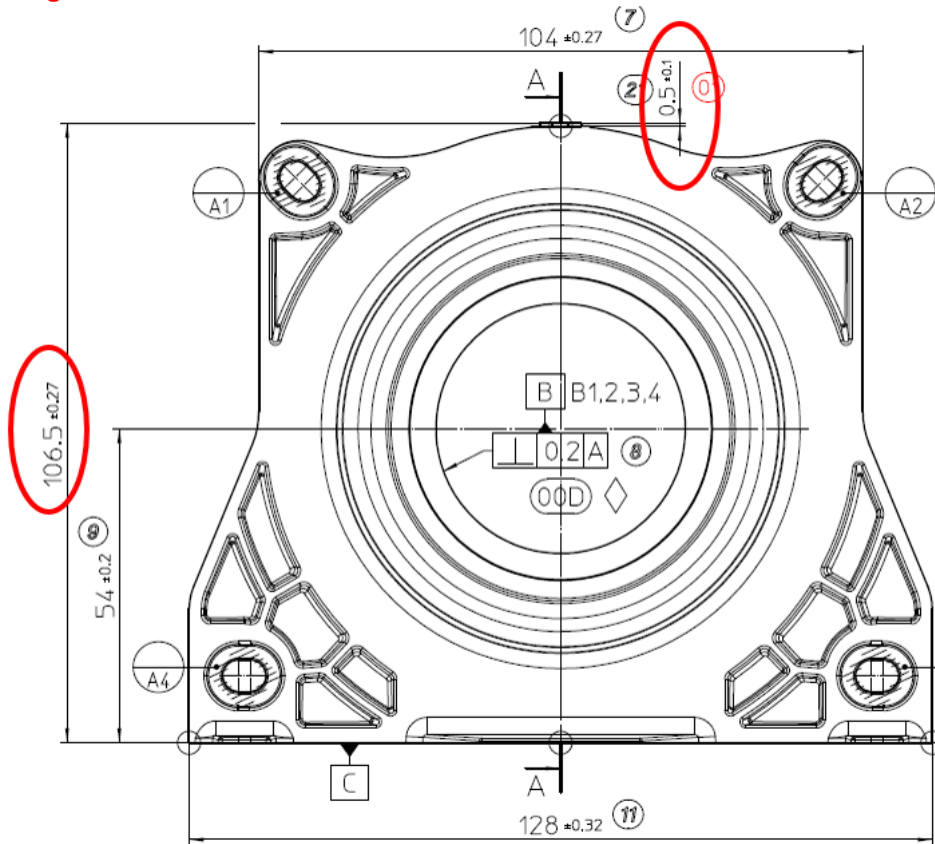
**ADDITIONAL INFORMATION:**

The height is increasing a bit due to the embossed narrow on the top on the case.

Height before: 106



Height after: 106.5



➤ **Reason of the technical change:**

Assembly process improvement and more sustainable way to indicate the current direction (narrow).





Life Energy Motion

**Impact on the product:**

- On the form: YES, the narrow for the current direction indication is now part of the case (part of the case mould)
- On the fit: NO
- On the function: NO
- On the reliability: NO
- On the data sheet: NO
- On the process: NO
- On the quality: NO

**Schedule of the modification:**

Start of delivery of modified products	<b>IN 1000-S/SP1: from date code 122326 (22<sup>nd</sup> November 2022)</b>
--	---

Sincerely yours,

Stéphane ROLLIER

Product Manager

