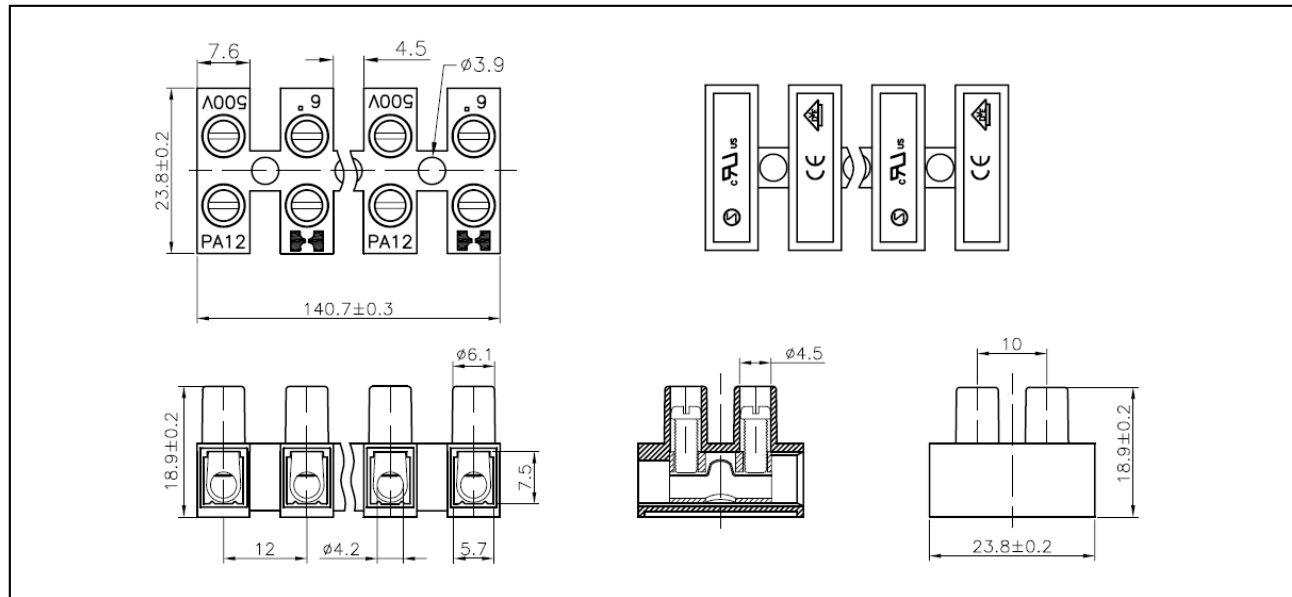


# Data Sheet

## Terminal Blocks with wire protector, 6 mm<sup>2</sup>



ALL DIMENSION IN MM UNLESS OTHERWISE STATED : 0.=±0.1mm 00.=±0.2mm 000.=±0.3mm

<b>HEAVY POWER CO., LTD.</b> <i>A Specialist Manufacturer</i> No.7, Lane 106, Wukung 3rd. road, Wuke Industrial Park, Taipei Hsien, Taiwan, R.O.C. Tel :886-2-22983178 Fax :886-2-22983183	<b>Scale :</b> - : -	<b>Date :</b> 2005.04.29	<b>TITLE :</b> TERMINAL BLOCK  PART NO. PA12HDS	
	<b>Housing Material :</b> Nylon 66, UL94-V2, Natural <b>Terminal Insert :</b> Brass Metal alloy, nickel plated <b>Wire Protector(DS) :</b> Stainless spring steel <b>Screws :</b> Zinc plated <b>Working Temperature :</b> 110° C		<b>PREPARED</b> Lily	
<b>DWG NO.</b> PA12HDS	<b>International Approvals</b> CUL:E152546 CE, VDE, FIMKO, SEMKO, CQC		<b>REV.</b> 2.0	

Voltage : 500 V

Amper : 41 A