

OMNIMATE Power - series WGK WGK 95 F VP/Z SW

Weidmüller Interface GmbH & Co. KG
 Klingenbergstraße 16
 D-32758 Detmold
 Germany
 Fon: +49 5231 14-0
 Fax: +49 5231 14-292083
 www.weidmueller.com



The WGK finger-proof-insulated enclosures are especially suitable as industrial electronic enclosures for frequency converters, power supplies or filter components which offer a convenient and reliable form of connection internally and externally. To match the wire guides to the installation requirements in the best possible way, Weidmüller offers two versions with horizontal (WGK) and vertical (WGKV) outlet directions.

General ordering data

Type	WGK 95 F VP/Z SW
Order No.	1250670000
Version	OMNIMATE Power - series WGK, Feedthrough terminal, Rated cross-section: 95 mm ² , Screw connection, Wemid (PA), Black, Direct mounting, Feed-through (bushing)
GTIN (EAN)	4050118041835
Qty.	10 pc(s).
Product data	IEC: 1000 V / 232 A / 35 - 95 mm ² UL: 600 V / 230 A / AWG 4 - AWG 4/0
Packaging	Box

Erstellungs-Datum December 20, 2013 7:57:01 AM CET

OMNIMATE Power - series WGK WGK 95 F VP/Z SW

Weidmüller Interface GmbH & Co. KG
 Klingenbergstraße 16
 D-32758 Detmold
 Germany
 Fon: +49 5231 14-0
 Fax: +49 5231 14-292083
 www.weidmueller.com

Technische Daten

Dimensions and weights

Length	49.5 mm	Width	25 mm
Height	74 mm	Height of lowest version	74 mm
Net weight	187.7 g		

System characteristics

Product family	OMNIMATE Power - series WGK	Wire connection method	Cable lug: ring cable / spade lug
Conductor outlet direction	180°	Fitted by customer	Yes
Tightening torque, min.	15 Nm	Tightening torque, max.	20 Nm
Clamping screw	M8/Hexagon	Stripping length	27 mm

Material data

Insulating material	Wemid (PA)	Colour	Black
UL 94 flammability rating	V-0	Contact material	E-Cu
Contact surface	tinned		

Connectable conductors

Clamping range, rated connection, min.	35 mm ²	Clamping range, rated connection, max.	95 mm ²
Wire connection cross section AWG, min.	AWG 4	Wire connection cross section AWG, max.	AWG 4/0
Solid, min. H05(07) V-U	35 mm ²	Solid, max. H05(07) V-U	95 mm ²
Stranded, max. H07V-R	95 mm ²	Stranded, min. H07V-R	35 mm ²
Flexible, min. H05(07) V-K	35 mm ²	Flexible, max. H05(07) V-K	95 mm ²
w. wire end ferrule, DIN 46228 pt 1, min.	35 mm ²	w. wire end ferrule, DIN 46228 pt 1, max.	95 mm ²

DIN IEC rating data

Rated current, min. no. of poles (TU=20°C)	232 A	Rated current, max. no. of poles (Tu=20°C)	232 A
Rated voltage for surge voltage class pollution degree III/3	1,000 V	Rated impulse voltage for surge voltage classcontamination degree III/3	8 kV

CSA rating data

Rated voltage (Use group B)	600 V	Rated current (use group B)	230 A
Wire cross-section, AWG, min.	AWG 4	Wire cross-section, AWG, max.	AWG 4/0

UL 1059 rating data

Rated voltage (use group B)	600 V	Rated current (use group B)	230 A
Wire cross-section, AWG, min.	AWG 4	Wire cross-section, AWG, max.	AWG 4/0

Classifications

eClass 6.2	27-14-11-34	eClass 7.1	27-14-11-34
------------	-------------	------------	-------------

**OMNIMATE Power - series WGK
WGK 95 F VP/Z SW**

Weidmüller Interface GmbH & Co. KG
Klingenbergstraße 16
D-32758 Detmold
Germany
Fon: +49 5231 14-0
Fax: +49 5231 14-292083
www.weidmueller.com

Technische Daten**Notes**

Notes

- Clearance and creepage distances to other components must be devised in accordance with the relevant application standard. This can be achieved in the device by full encapsulation or by the use of additional spacer plates.
- Rated data refer only to the component itself. Clearance and creepage distances to other components are to be designed in accordance with the relevant application standards.
- Colours: BL = black; GN/YL = green yellow; none = grey
- Additional colours on request
- WGK: Rated voltage plastic walls: 1–6 mm = 1000 V; metal walls: < 1 mm = 1000 V; metal walls: 1–3.5 mm = 800 V; metal walls: 3.5–5.5 mm = 690 V

Approvals

Approvals

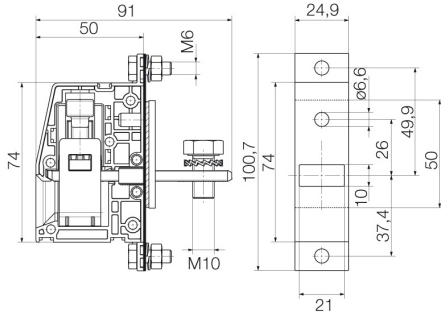


Datenblatt

**OMNIMATE Power - series WGK
WGK 95 F VP/Z SW**

Weidmüller Interface GmbH & Co. KG
 Klingenbergstraße 16
 D-32758 Detmold
 Germany
 Fon: +49 5231 14-0
 Fax: +49 5231 14-292083
 www.weidmueller.com

Zeichnungen



WGK 95 F VP

