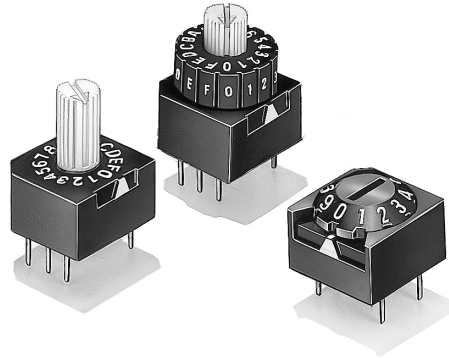


10mm Square Sealed Rotary DIP Switches



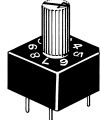
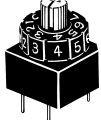
- Sealed structure equivalent to IP64 (IEC-60529) prevents flux penetration and provides high contact reliability even in dusty locations
- Flat/cone/wheel shaped and Extended-actuator models are available.
- A slider lock and rotating PCB mechanism ensure stable contact reliability..



RoHS Compliant

List of Models

- Model in packing with a box

Type (actuation color)			Cone type (black)	Flat type (white)	Extended-actuator type (white)	Wheel type (White with Black Wheel)
No. of switching positions	Output code	Quantity per box				
			10	BCD Decimal	100	A6A-10R
	BCD Decimal complement	A6A-10C	A6A-10CF	A6A-10CS		A6A-10CW
16	BCD Hexadecimal	100	A6A-16R	A6A-16RF	A6A-16RS	A6A-16RW
	BCD Hexadecimal complement		A6A-16C	A6A-16CF	A6A-16CS	A6A-16CW

- Note:** 1. Contact your OMRON sales representative to request special markings or designations.
2. Order in multiples of the package quantity.

Ratings/Characteristics

Rating (resistive load)	0.1 A at 28 VDC 1 mA (minimum current) at 5 VDC	
Ambient operating temperature	-10 to +70°C 60%RH max. (with no icing or condensation)	
Ambient operating humidity	45% to 85%RH (at +5 to +35°C)	
Insulation resistance	10 MΩ min. (at 250 VDC with insulation tester)	
Contact resistance (initial value)	200 mΩ max.	
Dielectric strength	Between terminals	250 VAC for 1 min
Vibration resistance	Malfunction	10 to 55 Hz, 1.5-mm double amplitude
Shock resistance	Malfunction	300 m/s ² min.
Durability	Electrical	2,000 steps min.
Washing	Possible	
Degree of protection	Internally sealed (IEC IP64 equivalency)	
Operating torque	1.18 to 2.45 × 10 ⁻² N·m {1.2 to 2.5 gf·m}	
Weight	Cone: Approx. 0.8 g Flat: Approx. 0.7 g Extended actuator: Approx. 0.8g Wheel: Approx. 1.0g	

Output Codes

10-position Models

Type	BCD Decimal code				BCD Decimal complement code			
	1	2	4	8	$\bar{1}$	$\bar{2}$	$\bar{4}$	$\bar{8}$
0					●	●	●	●
1	●					●	●	●
2		●			●		●	●
3	●	●					●	●
4			●		●	●		●
5	●		●			●		●
6		●	●		●			
7	●	●	●					●
8				●	●	●	●	
9	●			●		●	●	

Note: "●" indicates that the internal switch is ON.

16-position Models

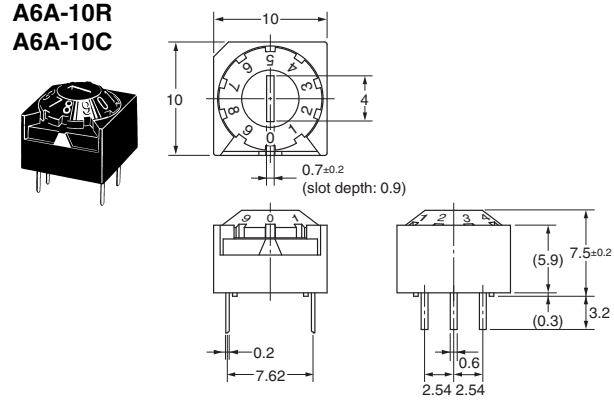
Type	BCD Hexadecimal code				BCD Hexadecimal complement code			
	1	2	4	8	$\bar{1}$	$\bar{2}$	$\bar{4}$	$\bar{8}$
0					●	●	●	●
1	●					●	●	●
2		●			●		●	●
3	●	●					●	●
4			●		●	●		●
5	●		●			●		●
6		●	●		●			
7	●	●	●					●
8				●	●	●	●	
9	●			●		●	●	
A		●			●		●	
B	●	●					●	
C			●		●	●		
D	●		●		●		●	
E		●	●		●			
F	●	●	●	●				

Note: "●" indicates that the internal switch is ON.

Dimensions (Unit: mm)

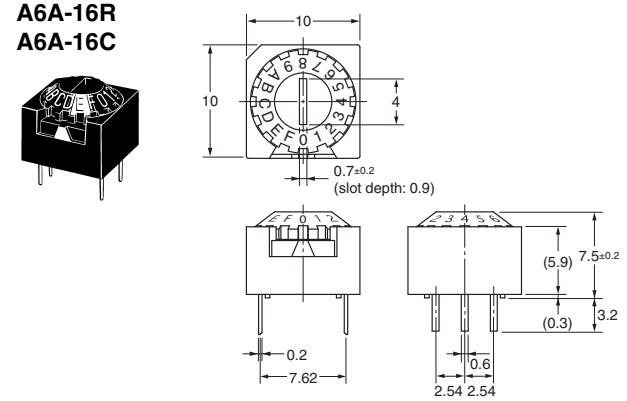
● Cone Type, 10 Positions

A6A-10R
A6A-10C



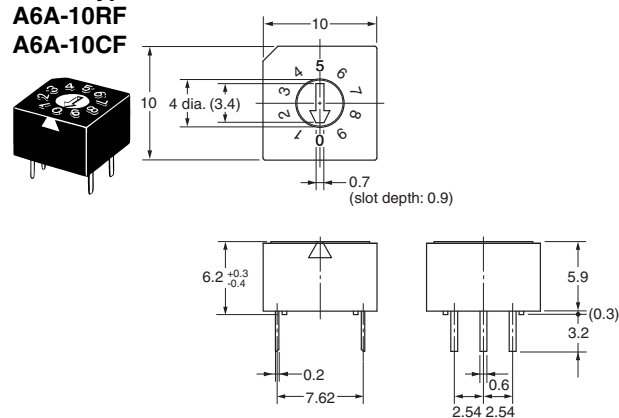
● Cone Type, 16 Positions

A6A-16R
A6A-16C



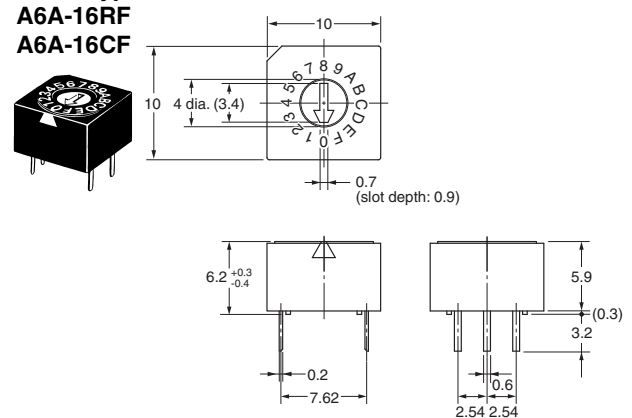
● Flat Type, 10 Positions

A6A-10RF
A6A-10CF



● Flat Type, 16 Positions

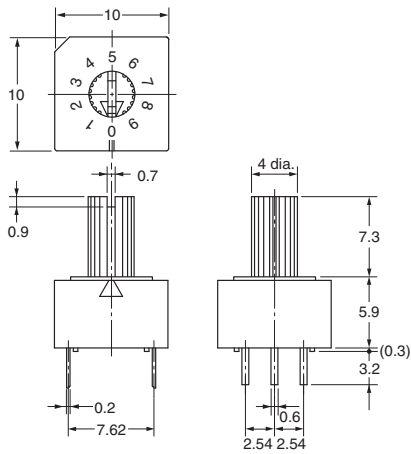
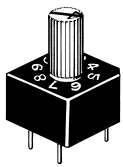
A6A-16RF
A6A-16CF



Note: Unless otherwise specified, a tolerance of ±0.4 mm applies to all dimensions.

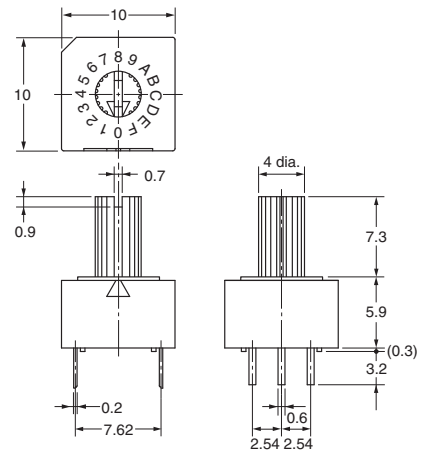
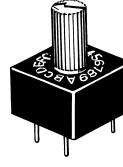
● Extended-actuator Type, 10 Positions

A6A-10RS
A6A-10CS



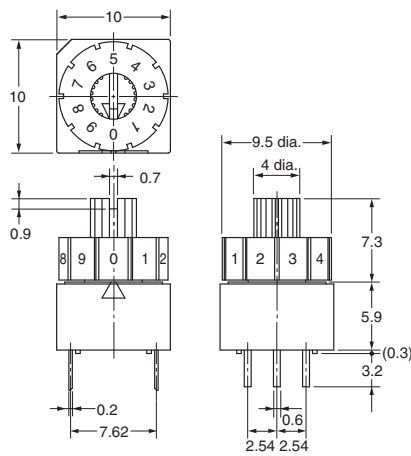
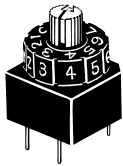
● Extended-actuator Type, 16 Positions

A6A-16RS
A6A-16CS



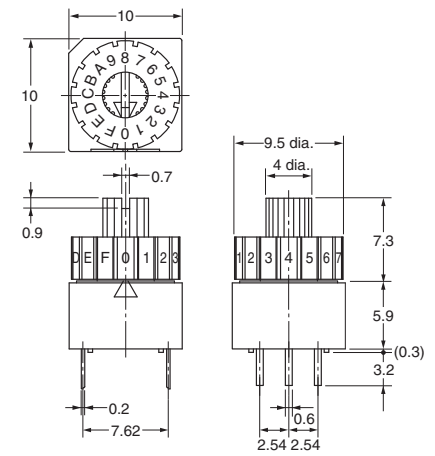
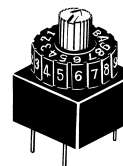
● Wheel Type, 10 Positions

A6A-10RW
A6A-10CW



● Wheel Type, 16 Positions

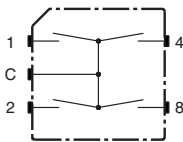
A6A-16RW
A6A-16CW



Note: Unless otherwise specified, a tolerance of ± 0.4 mm applies to all dimensions.

■ Internal Connections

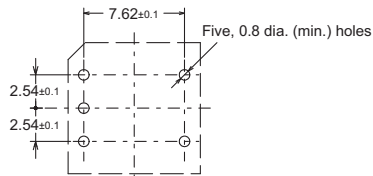
Contact Form (Top View)



■ PCB Dimensions (Reference) (Unit: mm)

(Top View)

(Single-sided PCB, $t = 1.2$ to 1.6)



■ Precautions

Be sure to read the Safety precautions common to all DIP Switches for correct use.

Please check each region's Terms & Conditions by region website.

OMRON Corporation

Device & Module Solutions Company

Regional Contact

Americas

<https://components.omron.com/us>

Asia-Pacific

<https://components.omron.com/ap>

Korea

<https://components.omron.com/kr>

Europe

<https://components.omron.com/eu>

China

<https://components.omron.com.cn>

Japan

<https://components.omron.com/jp>