

SAI-4-M 5P M12 1:1**Weidmüller Interface GmbH & Co. KG**

Klingenbergstraße 16

D-32758 Detmold

Germany

Fon: +49 5231 14-0

Fax: +49 5231 14-292083

www.weidmueller.com



M12 distributors are available in various versions. The 4, 6 or 8 M12 slots are in 4 or 5 pole design. The group outlet is designed as a fixed cable version, hood version for connection by the user, or with M23. Special versions are also available. For instance, there are 1-to-1 distributors for use with any connection types, or distributors approved for Ex Zone 1.

General ordering data

Type	SAI-4-M 5P M12 1:1
Order No.	1806010000
Version	Sensor-actuator passive distributor, M12, Hood version, No
GTIN (EAN)	4032248275120
Qty.	1 pc(s).

SAI-4-M 5P M12 1:1

Weidmüller Interface GmbH & Co. KG

Klingenbergstraße 16

D-32758 Detmold

Germany

Fon: +49 5231 14-0

Fax: +49 5231 14-292083

www.weidmueller.com

Technical data

Dimensions and weights

Net weight	190.9 g
------------	---------

Temperatures

Operating temperature range, max.	90 °C	Operating temperature range, min.	-20 °C
Operating temperature, max.	90 °C	Operating temperature, min.	-20 °C
Operating temperature	-20 - 90°C		

Environmental Product Compliance

REACH SVHC	Lead 7439-92-1
------------	----------------

Connection data

Conductor O.D., min.	6 mm	Conductor O.D., max.	12 mm
Clamping range, min.	0.08 mm ²	Clamping range, max.	1.5 mm ²
Storage space	Standard	Distributor outlet	Hood version
Connection type PE	Screw connection		

Standards

Certificate No. (cURus)	E141197
-------------------------	---------

Electrical data

Rated voltage , min.	10 V	Rated voltage , max.	30 V
Test voltage	1 kV	Max. current-carrying capacity per slot	4 A
Total current	8 A	Current per signal	2 A
Electrical isolation available	Yes	Insulation strength	10 ⁹ Ω

General technical data

Protection degree	IP67	No. of poles	5
Number of contact sockets	4	Connection thread	M12
Pollution severity	3	Fire behaviour	V-0
Plugging cycles	≤ 50	LED	No
LED initiator	No		

Material data

Housing main material	Pocan	Material of distributor	Plastic
Housing colour	grey, RAL 7032	Hood sealing material	Viton
Screw socket	Nickel-plated CuZn	Contact material	CuZn
Contact surface	Gold-plated	Contact carrier material	PBT (UL 94 V0)

Technical data cable

No. of poles	5	Conductor O.D., min.	6 mm
Conductor O.D., max.	12 mm		

Data sheet

SAI-4-M 5P M12 1:1

Weidmüller Interface GmbH & Co. KG
 Klingenbergstraße 16
 D-32758 Detmold
 Germany
 Fon: +49 5231 14-0
 Fax: +49 5231 14-292083
 www.weidmueller.com

Technical data

Classifications

ETIM 3.0	EC001856	ETIM 4.0	EC002585
ETIM 5.0	EC002585	ETIM 6.0	EC002585
UNSPSC	30-21-18-01	eClass 6.2	27-06-91-90
eClass 7.1	27-06-91-90	eClass 8.1	27-06-91-90
eClass 9.0	27-44-01-08	eClass 9.1	27-44-01-08

Approvals

Approvals



ROHS Conform

Downloads

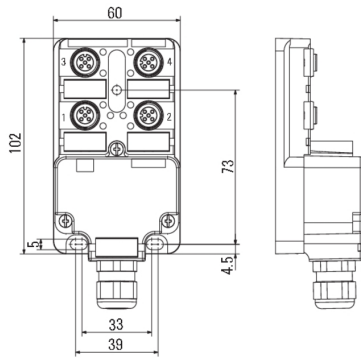
Brochure/Catalogue	CAT 8 SAI 15/16 EN FL FIELDWIRING EN
Engineering Data	WSCAD

SAI-4-M 5P M12 1:1

Weidmüller Interface GmbH & Co. KG
 Klingenbergstraße 16
 D-32758 Detmold
 Germany
 Fon: +49 5231 14-0
 Fax: +49 5231 14-292083
 www.weidmueller.com

Drawings

Dimensioned drawing



Wiring diagram

