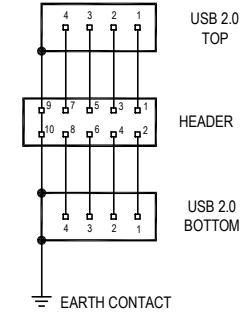
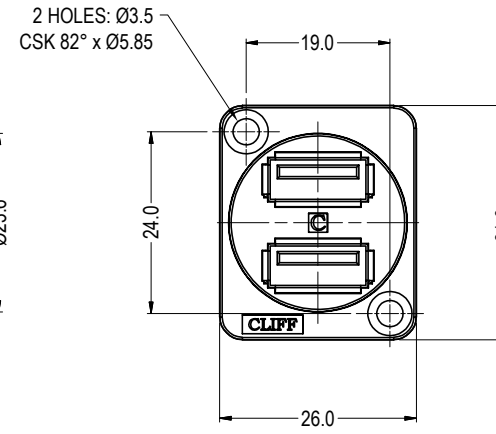
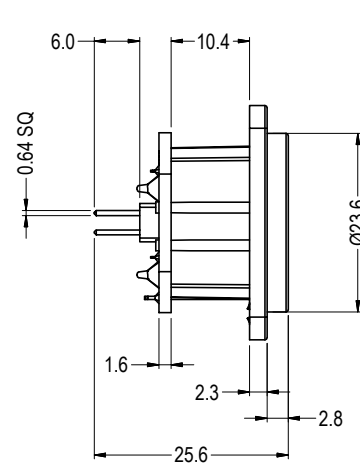
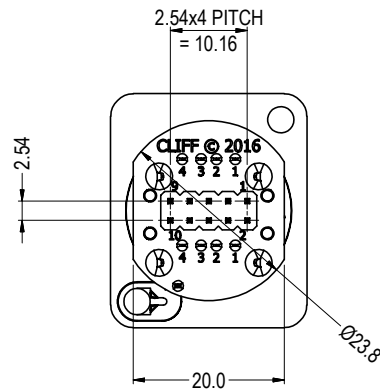
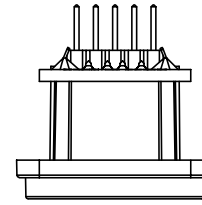
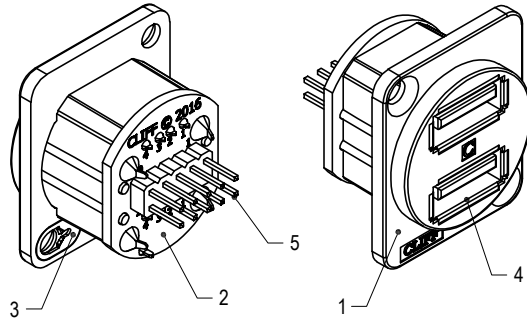
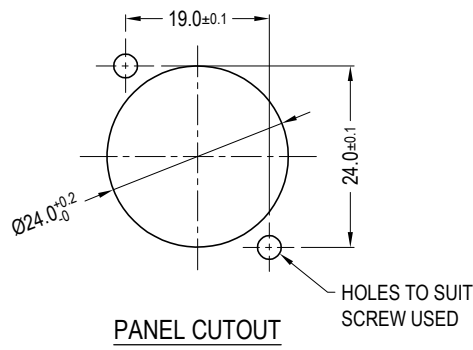
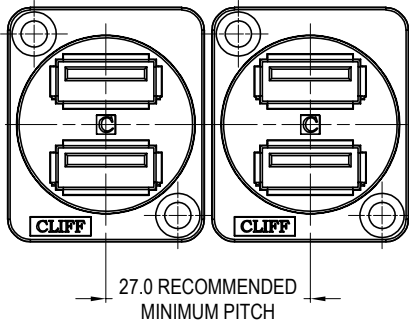


ISS.	AMEND	DATE
1	ISSUED	26/09/16
2	ADD MATERIAL TABLE	23/03/20



SCHEMATIC

ITEM	PART No.	DESCRIPTION	MATERIAL	FINISH	QTY
1	CP30100SA1	BODY Moulding CSK	PA66	BLACK	1
2	CP30100SA2	DUAL USB2 PCB	FR4	-	1
3	CP30100SA3	EARTH CONTACT	BRASS	TIN PLATE	1
4		USB2 SOCKET	-	-	2
5		HEADER 2x5 2.54mm PITCH	PA66 BRASS	BLACK TIN PLATE	1



	Pin No.		Header Pin
Top USB	1	Vcc	1
	2	Data -	3
	3	Data +	5
	4	Ground	7
		USB Body	9
Bottom USB	1	Vcc	2
	2	Data -	4
	3	Data +	6
	4	Ground	8
		USB Body	10

RoHS
COMPLIANT

TOLERANCE
NO DEC. PLACE ±
1 DEC. PLACE ±
2 DEC. PLACE ±
HOLE Ø ±
ANGLES ±
UNLESS OTHERWISE STATED

Cliff Electronic Components Ltd.
76 Holmethorpe Avenue, Holmethorpe Industrial Estate,
Redhill, Surrey, RH1 2PF, England, UK
Tel: 01737-771375 Fax: 01737-766012 Website: www.cliffuk.co.uk

THE CONTENTS OF THIS DOCUMENT MUST NOT BE COPIED OR DISCLOSED TO A 3rd PARTY WITHOUT WRITTEN PERMISSION OF CLIFF UK. © 2016

DIMENSIONS IN MILLIMETERS UNLESS OTHERWISE STATED. WORK TO DIMENSIONS. REMOVE ALL BURRS. IF IN DOUBT ASK.

MATERIAL: SEE TABLE
FINISH: SEE TABLE
DRAWN: NJB

3rd ANGLE PROJECTION:

TITLE: XLR DUAL USB2 CSK HOLES-FRONT MOUNT

DRWG. No. **CP30100** FORM: A4DRWGH

DO NOT SCALE

APPROVED: DPJ