

# Plug-In Power Supply



## Features

- Supplied with an approx. 1.8 m connector lead and an output connector with an internal diameter of 2.1 mm and an external diameter of 5.5 mm
- Fitted with a european plug
- EN62368-1:2014+ A11:2017 safety standards



## Input

Voltage	100 ... 240 VAC
Frequency	50 ... 60 Hz
Protective Device	Fuse, 1 A, 250 V
No Load Power Consumption	< 100 mW
Full Load Current @ 500 mA	500 mA

## Output

Voltage	24 VDC
Current	1.12 A

## Overall Performance

Total Output Power	26.88 W max.
Efficiency	Comply with ErP; Level VI

## Protection

- Over current protection
- Over voltage protection
- Over power protection
- Short circuit protection
- L.P.S (Limits for power source)

## HI-POT

Input to Output	3 kVAC / 5 mA / 50 Hz
Input to Case	3 kVAC / 5 mA / 5 Hz
Output to Case	500 VAC / 5 mA / 50 Hz
Isolation Resistance	100 M Ohms I/P-O/P I/P/Enclosure
Appliance	Class II

## Environmental

Operating Temperature	0 ... 40 °C
Storage Temperature	-20 ... 60 °C
Operating Humidity	20%-85% RH. NON-CONDENSING
Storage Humidity	10%-90% RH. NON-CONDENSING

## Reliability

MTBF	30000 Hours min.
Burn-In	4 Hours 25 °C, Full Load, 220 VAC, 50 Hz

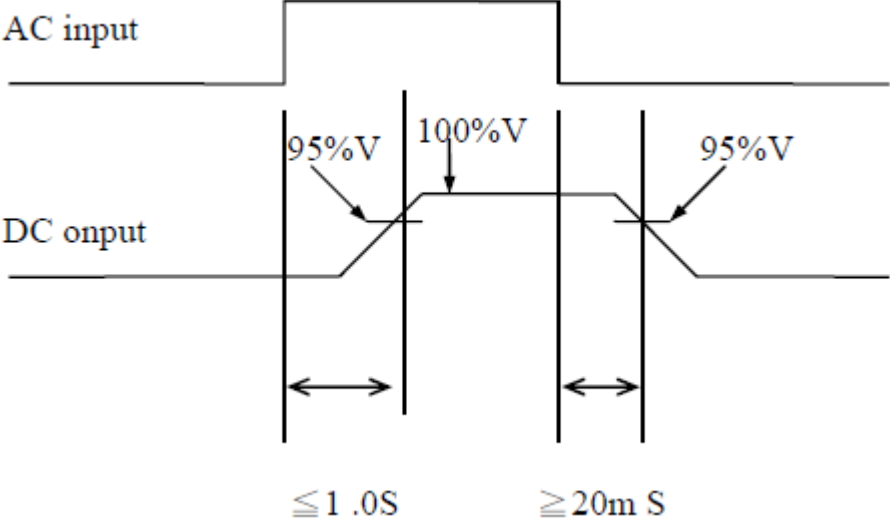
## Mechanical Specification

Dimensions	87 mm(L) x 51 mm(W) x 40.1 mm(H) (Excluded Plug) 87 mm(L) x 51 mm(W) x 77.4 mm(H) (Included Plug)
Input Plug	Direct Plug-In; EU Type
Output Cable	1.8 m Black and White Wires

## Approvals

Safety Standards	EN62368-1:2014+ A11:2017
EMC	EN 61204-3:2000

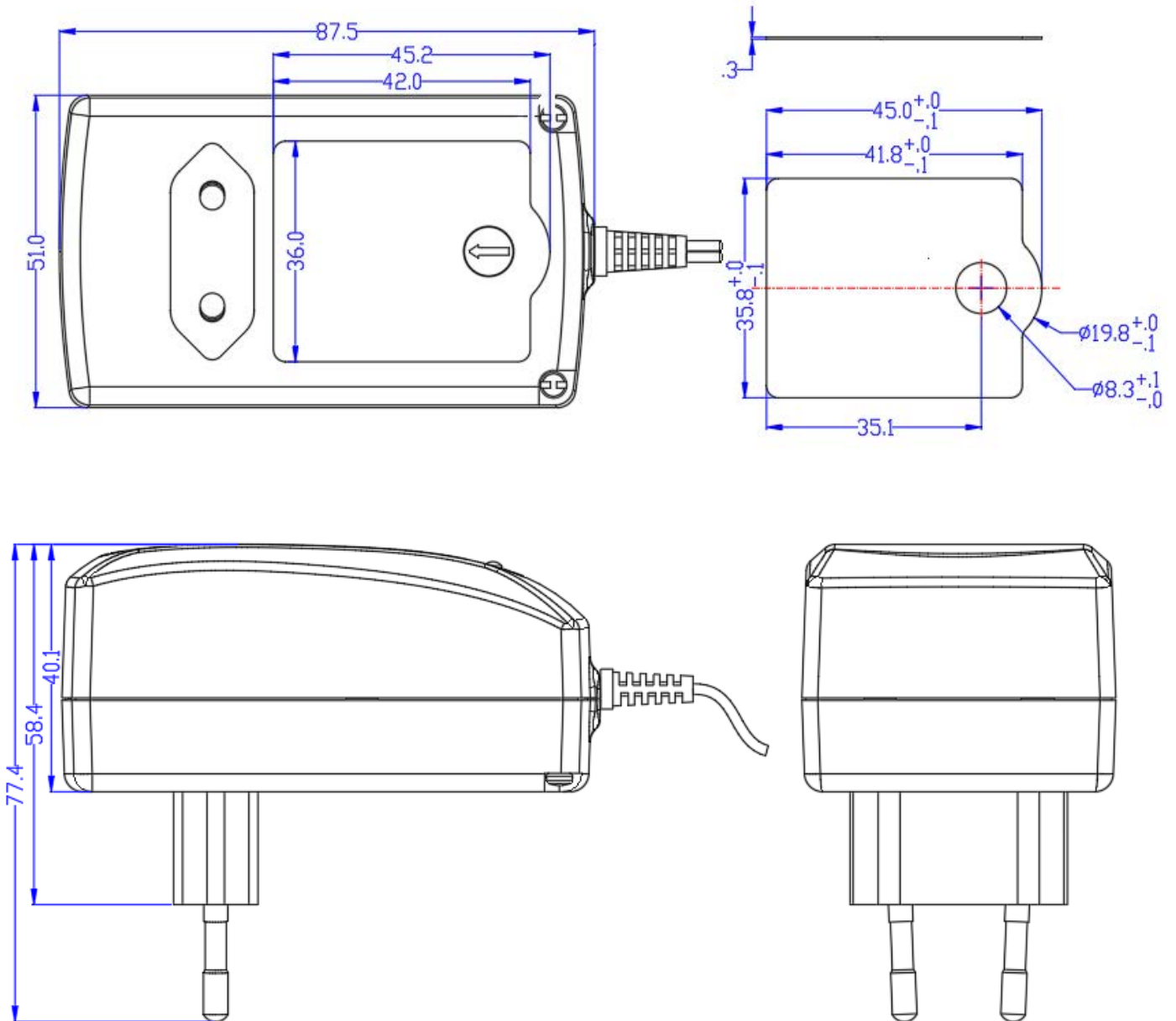
## Other Specifications

<p>TIME SEQUENCE</p>	<p>Time sequence should be satisfied to power ON/OFF, restart in power failure AC switch at ON/OFF</p> 
<p>DROP TEST</p>	<p>Test condition: 6 face, each face 1 time 70 cm, on the 5mm wooden board. RESULT: Without opening of case and crack, etc. electric characteristic shall be satisfied light crack after test is acceptable.</p>
<p>ENVIRONMENTAL TEST</p>	<p>LOW TEMPERATURE STORAGE TEST Keep on <math>-30^{\circ}C</math> (Packing) for 168 hours, and check the action after 3 hours in <math>25^{\circ}C</math>. RESULT: All normal function and meet specification.</p> <p>HIGH TEMPERATURE STORAGE TEST Keep on <math>+70^{\circ}C</math> (Packing) for 168 hours, and check the action after 3 hours in <math>25^{\circ}C</math>. RESULT: All normal function and meet specification.</p> <p>HIGH HUMIDITY STORAGE TEST Keep on <math>+45^{\circ}C</math>, 95%RH (Packing) for 168 hours, and check the action after 3hour in <math>25^{\circ}C</math>. RESULT: All normal function and meet specification.</p> <p>TEMPERATURE CYCLE TEST Keep on <math>-45^{\circ}C</math> (Packing) for 1 hour, then keep on <math>+85^{\circ}C</math> (Packing) for 1 hour Repeat this cycle until 10 cycle, check the action after an hour in <math>25^{\circ}C</math>. RESULT: All normal function and meet specification.</p>

# Plug-In Power Supply

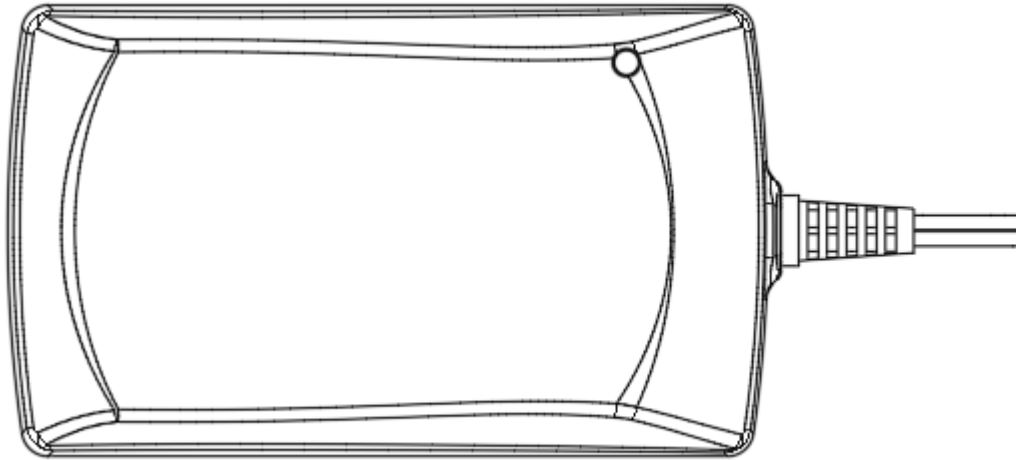


## Drawings



# Plug-In Power Supply

---



Art. Nr.  
RND 320-00069