

- 1
- 2
- 3
- 4
- 5
- 6
- 7
- 8
- 9
- 10
- 11
- 12
- 13
- 14
- 15
- 16
- 17
- 18

MATERIAL

AISI 304 stainless steel, sandblasted matte (GS) or electropolished (EP) finish.

PACKING RING

NBR synthetic rubber, black colour, glued to the handle body.

SCREWS (ONLY FOR GN 7332-A)

AISI 304 stainless steel with countersunk flat head, with polyamide coating in the underhead.

IP PROTECTION

Degree of protection IP 66 in accordance with EN 60529 table (on page A-19).
(only for executions with packing ring).

STANDARD EXECUTIONS

Front mounting by means of pass-through holes for M5 countersunk flat head screws, included in the supply:

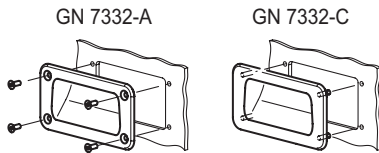
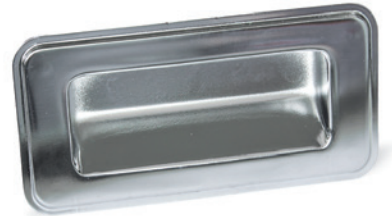
- GN 7332-A-1: without gasket.
- GN 7332-A-2: with packing ring.

Rear mounting by means of 4 M5 screws welded to the handle body:

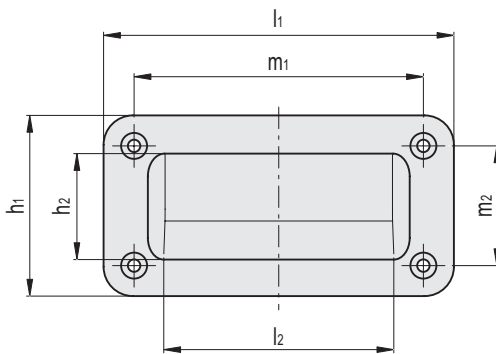
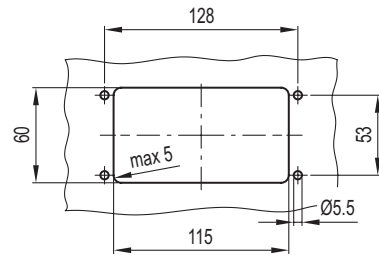
- GN 7332-C-1: without gasket.
- GN 7332-C-2: with packing ring.

ASSEMBLY INSTRUCTIONS

Drill the handle housing according to the template dimensions.

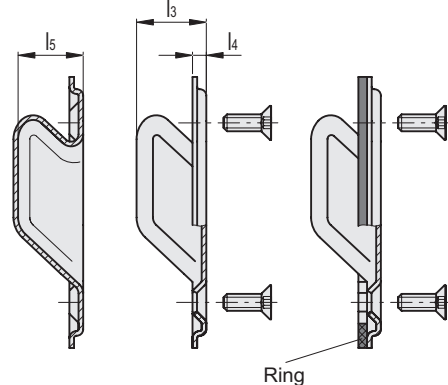


Drilling template



GN 7332-A-1

GN 7332-A-2



GN 7332-A-1

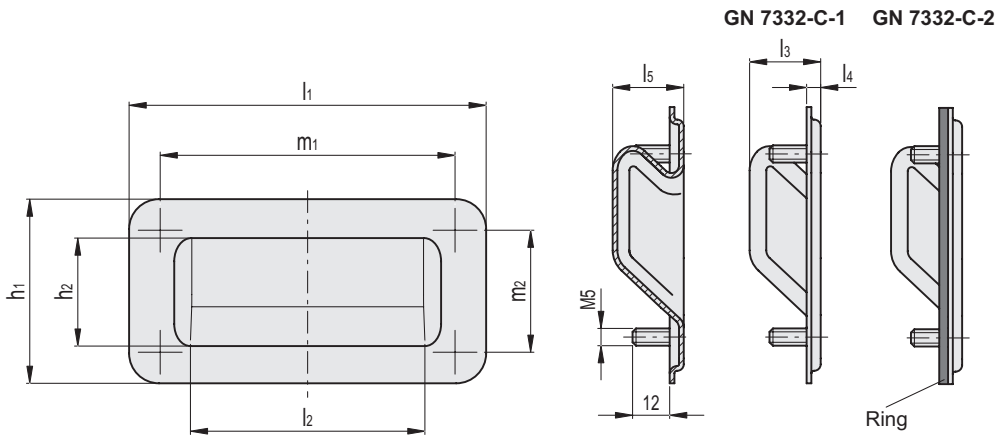


Code	Description	l1	l2	l3	l4	l5	h1	h2	m1	m2	⚖️
GN.29235	GN 7332-155-A-1-GS	155	109	20	3.5	19.2	80	42	128	53	90
GN.29281	GN 7332-155-A-1-EP	155	109	20	3.5	19.2	80	42	128	53	90

GN 7332-A-2



Code	Description	l1	l2	l3	l4	l5	h1	h2	m1	m2	⚖️
GN.29236	GN 7332-155-A-2-GS	155	109	20	3.5	19.2	80	42	128	53	104
GN.29282	GN 7332-155-A-2-EP	155	109	20	3.5	19.2	80	42	128	53	104



GN 7332-C-1



Code	Description	l1	l2	l3	l4	l5	h1	h2	m1	m2	⚖️
GN.29237	GN 7332-155-C-1-GS	155	109	20	3.5	19.2	80	42	128	53	99
GN.29283	GN 7332-155-C-1-EP	155	109	20	3.5	19.2	80	42	128	53	99

GN 7332-C-2



Code	Description	l1	l2	l3	l4	l5	h1	h2	m1	m2	⚖️
GN.29238	GN 7332-155-C-2-GS	155	109	20	3.5	19.2	80	42	128	53	101
GN.29284	GN 7332-155-C-2-EP	155	109	20	3.5	19.2	80	42	128	53	101