

# MOA-R Horizontal toggle clamps

with folded base, steel



- 1
- 2
- 3
- 4
- 5
- 6
- 7
- 8
- 9
- 10
- 11
- 12
- 13
- 14
- 15
- 16
- 17
- 18

## MATERIAL

Phosphated weldable steel.

## RIVETS

Phosphated steel.

## CLAMPING BOLT

To be ordered separately.

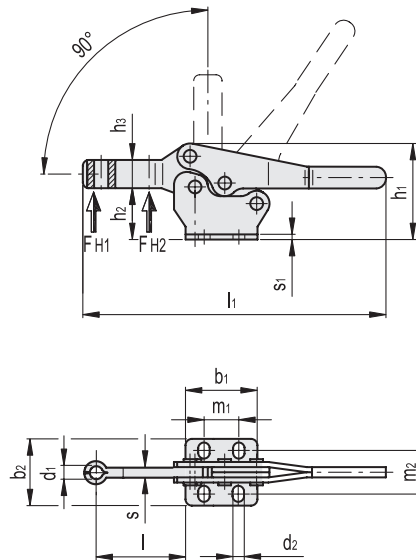
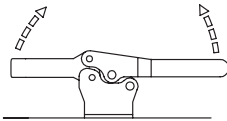
## FEATURES AND APPLICATIONS

All articulated joints are lubricated with special grease resistant to high temperatures.

A special feature of MOA-R toggle clamps is their low closure profile. During clamping, the lever is controlled to prevent impact on functioning due to side thrust.

MOA-R toggle clamps are particularly suitable for applications on moulds for plastic materials and in rotational moulding.

Slotted assembly holes for applications in inches.



Code	Description	b1	b2	d1	d2	h1	h2	h3	l	l1	m1	m2	s	s1	FH1* [N]	FH2* [N]	Δ
GG.AR145	MOA-R-130-OR	36	40	5.5	6.5	51	29	16	48	162	26	22.4+28.4	5	2.5	1000	2000	185
GG.AR280	MOA-R-230-OR	44	44	8.5	6.5	61.5	36.5	18	56	190	26	26+31.5	6	3	1700	3300	300
GG.AR380	MOA-R-355-OR	60	58	10.5	8.5	83	50	22	89.5	260.5	41	38.8+43	7	3.5	1800	4000	700

Toggle clamps

\* Holding force.