

STANDARD EXECUTIONS

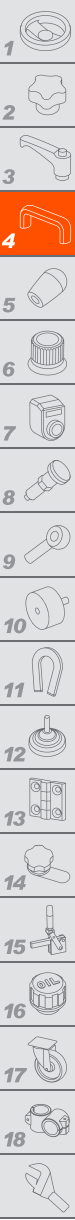
- **RHWP-G**: back mounting, threaded blind holes.
- **RHWP-B**: front mounting, pass-through holes for countersunk-head screws.

Colour index:

- **11**: anodised aluminium, natural colour, satin finish.
- **14**: anodised aluminium, black colour, satin finish.

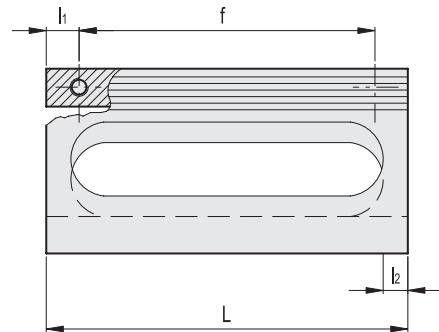
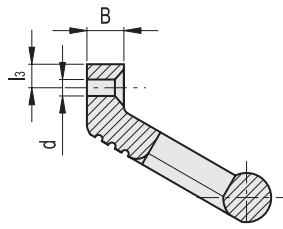
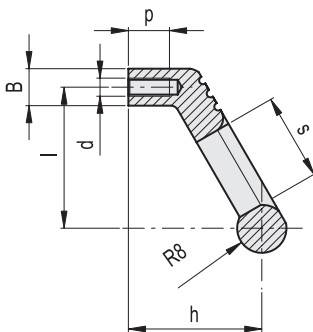
SPECIAL EXECUTIONS ON REQUEST

Different lengths and colours.



RHWP-G

RHWP-B



RHWP-G

Code	f	L	d	p	B	h	l	l1	l2	s	⚖️
RHWP-12.G086.11	86	106	M6	12	12	42	45	10	8	28	187
RHWP-12.G100.11	100	120	M6	12	12	42	45	10	8	28	209
RHWP-12.G120.11	120	140	M6	12	12	42	45	10	8	28	243
RHWP-12.G086.14	86	106	M6	12	12	42	45	10	8	28	187
RHWP-12.G100.14	100	120	M6	12	12	42	45	10	8	28	209
RHWP-12.G120.14	120	140	M6	12	12	42	45	10	8	28	243

RHWP-B

Code	f	L	B	h	l	l1	l2	l3	d	s	⚖️
RHWP-12.B086.11	86	106	12	51	35	10	8	7	5.5	28	189
RHWP-12.B100.11	100	120	12	51	35	10	8	7	5.5	28	210
RHWP-12.B120.11	120	140	12	51	35	10	8	7	5.5	28	244
RHWP-12.B086.14	86	106	12	51	35	10	8	7	5.5	28	189
RHWP-12.B100.14	100	120	12	51	35	10	8	7	5.5	28	210
RHWP-12.B120.14	120	140	12	51	35	10	8	7	5.5	28	244