



5mm Round Infrared 15° 850nm Water Clear

Order code: **58-0114**

MPN: OSI3NA5111A

Features:

- High Radiant Power LEDs
- 5mm Standard Directivity
- Superior Weather-resistance
- UV Resistant Epoxy
- Water Clear Type

Applications

- IrDA
- Encoder
- Data communication
- IR camera

Absolute maximum rating (Ta=25°C)

Item	Symbol	Value	Unit
DC forward current	I_F	100	mA
Pulse forward current*	I_{FP}	1000	mA
Reverse voltage	V_R	5	V
Power dissipation	P_D	180	mW
Operating temperature	T_{opr}	-30 to +85	°C
Storage temperature	T_{stg}	-40 to +100	°C
Lead soldering temperature	T_{sol}	260°C/5sec	-

*Pulse width max. 10ms. Duty ratio max. 1/10

Electrical - Optical characteristics (Ta=25°C)

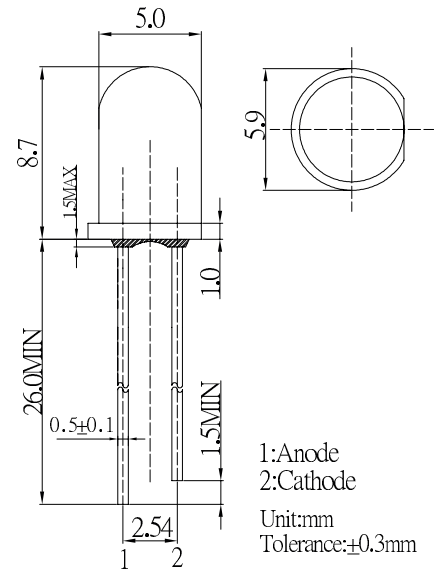
Item	Symbol	Condition	Min.	Typ.	Max.	Unit
DC forward voltage	V_F	$I_F = 100\text{mA}$	-	1.6	1.8	V
DC reverse current	I_R	$V_R = 5\text{V}$	-	-	10	μA
Peak wavelength	λ_p	$I_F = 100\text{mA}$	-	850	-	nm
Radiant intensity	I_e	$I_F = 100\text{mA}$	-	60	-	mW/Sr
50% Power angle	$2\theta_{1/2}$	$I_F = 100\text{mA}$	-	15	-	deg

* Tolerance of peak wavelength is $\pm 1\text{nm}$

† Tolerance of luminous intensity is $\pm 15\%$



Outline dimensions:



Directivity:

