

Safe contact expander

1 or 2 independent channels

4 contact sets per channel



(figure similar)



Article no.	BWU2539	BWU2548
General data		
Type of device	safe contacts, instantaneous	
Number of contact sets per channel	4	
Number of independent channels	2	1
Input		
Signal level	0-signal: < 2,4 V DC 1-signal: 18 ... 26,5 V DC	
Permissible test pulse time	max. 1,5 ms	
Rated current	60 mA per channel	
Output		
Connection	force-guided	
Short circuit protection of output circuits (external)	3 A quick; 2 A slow	
Max. inrush current	20 A for 20 ms	
Electrical life (switching operations)	AC1 (360 S/h) ca. 100 000	
Operate delay / delay time	< 20 ms / <20 ms	
Switching frequency	15 Hz	
Rated impulse voltage	4 kV ¹	
Contact load EDM (1.51, 1.52 and 2.51, 2.52)		
Switching current	max. 20 mA	
Contact load contact set (1.13, 1.14, 1.23, 1.24 and 2.13, 2.14, 2.23, 2.24)		
Switching voltage AC	10 ... 230 V	
Switching voltage DC	10 ... 230 V	
Insulation to input	double insulation	
Switching current	5 mA... 3 A	
Contact load contact set (1.33, 1.34, 1.43, 1.44 and 2.33, 2.34, 2.43, 2.44)		
Switching voltage AC	10 ... 230 V	
Switching voltage DC	10 ... 230 V	
Insulation to input	basic insulation	
Switching current	5 mA... 3 A	
Total current (per channel)	12A (see "Total current through all the contact sets of a channel:")	
Usage category (acc. EN 60347-4-1 / EN 60947-5-1)	AC1: 230 V/3 A (ca. 150 x 10 ³ cycles) AC 15: 230 V/3 A (ca. 80 x 10 ³ cycles) DC 1: 24 V/3 A (ca. 500 x 10 ³ cycles) DC 13: 24 V/3 A/0,1 Hz (ca. 50 x 10 ³ cycles)	
B _{10d} (AC15)	1,96 x 10 ⁶ cycles	
B _{10d} (DC13)	780 x 10 ³ cycles	

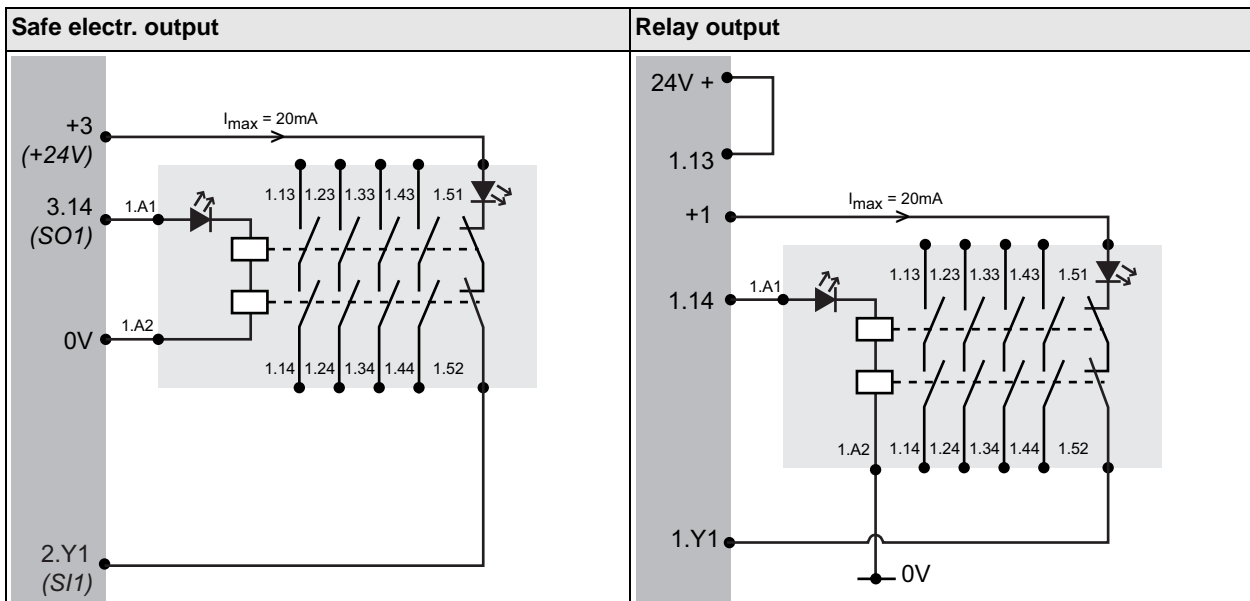
Article no.	BWU2539	BWU2548
LED displays		
LED CH 1 (green)	safe input 1	
LED CH 2 (green)	safe input 2	–
LED EDM 1 (green)	EDM channel 1	
LED EDM 2 (green)	EDM channel 2	–
Environment		
Overvoltage category	III	
Degree of pollution	2	
Ambient temperature	-20 °C ... 50 °C	
Storage temperature	-40 °C ... 70 °C	
Relative humidity	not condensing	
Mechanical lifetime	approx. 10 x 10 ⁶ swi	
Protection class (EN 60529)	IP20	
Dimensions (L / W / H in mm)	99 / 22,5 / 114	

¹ Safe isolation, reinforced insulation and 6 kV between A1/A2, 51/52, 43/44, 33/34 and 23/24, 13/14.
Outputs one below the other have basic insulation.

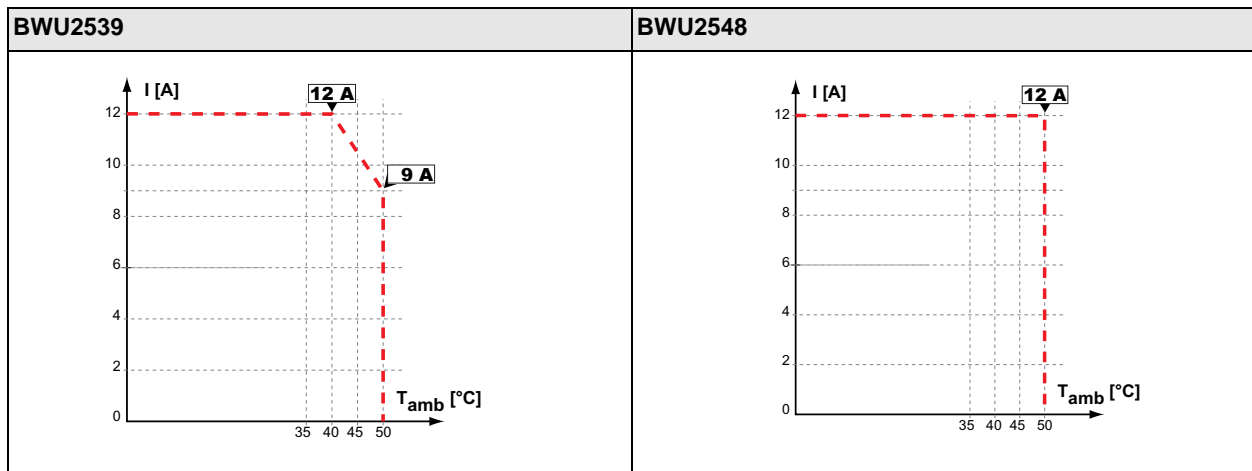
Wiring rules

Push-in terminals	
General	
Nominal cross section	2,5 mm ²
Conductor cross section	
Conductor cross section solid	0,2 ... 2,5 mm ²
Conductor cross section flexible	0,2 ... 2,5 mm ²
Conductor cross section flexible, with ferrule	without plastic sleeve: 0,2 ... 2,5 mm ²
	with plastic sleeve: 0,25 ... 2,5 mm ²
2 conductors with same cross section, stranded, with TWIN ferrules	without plastic sleeve: 0,5 ... 1,5 mm ²
AWG	24 ... 14
Stripped insulation length	10 mm

Connection examples:



Total current through all the contact sets of a channel:



BWU2539	BWU2548
output channel 1.1: terminals 1.13, 1.14 output channel 1.2: terminals 1.23, 1.24 output channel 1.3: terminals 1.33, 1.34 output channel 1.4: terminals 1.43, 1.44	
output channel 2.1: terminals 2.13, 2.14 output channel 2.2: terminals 2.23, 2.24 output channel 2.3: terminals 2.33, 2.34 output channel 2.4: terminals 2.43, 2.44	—
EDM (feedback circuit) channel 1: terminals 1.51, 1.52	
EDM (feedback circuit) channel 2: terminals 2.51, 2.52	—
channel 1 working contacts 1.A1, 1.A2	
channel 2 working contacts 2.A1, 2.A2	—

