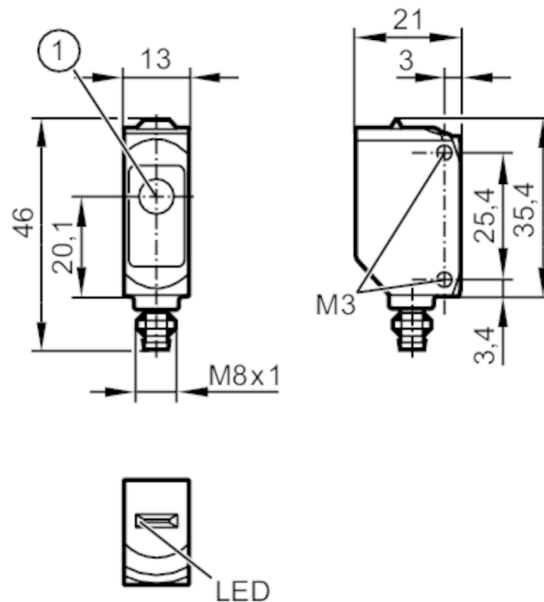




## Through-beam sensor transmitter

O6S-00KG/AS/3P



1: light emission



### Product characteristics

Type of light	red light
Housing	rectangular
Dimensions [mm]	35.4 x 13 x 21

### Application

Function principle	Through-beam sensor
--------------------	---------------------

### Electrical data

Operating voltage [V]	10...30 DC
Current consumption [mA]	11; ((24 V))
Protection class	III
Type of light	red light
Wave length [nm]	633

### Detection zone

Transmitter / receiver	transmitter
Range [m]	< 10
Max. light spot diameter [mm]	300
Light spot dimensions refer to	at maximum range

### Operating conditions

Ambient temperature [°C]	-25...60
Protection	IP 65; IP 67



## Through-beam sensor transmitter

O6S-OOKG/AS/3P

### Tests / approvals

EMC		EN 60947-5-2	
MTTF	[years]		2600
UL approval		UL Approval no.	E002

### Mechanical data

Weight	[g]		17.7
Housing			rectangular
Dimensions	[mm]		35.4 x 13 x 21
Materials		housing: ABS; PPSU; connector thread: brass coated; Sealing: EPDM	
Lens material			PMMA
Lens alignment			side lens
Material nut			brass, coated
Tightening torque	[Nm]		0.5

### Displays / operating elements

Display		operation	1 x LED, green
---------	--	-----------	----------------

### Remarks

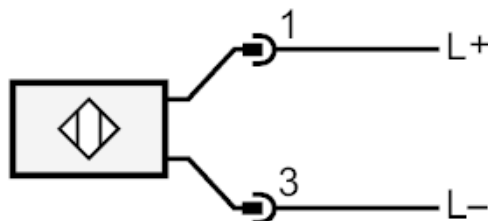
Remarks		operating voltage "supply class 2" according to cULus	
Pack quantity			1 pcs.

### Electrical connection

Connector: 1 x M8; Locking: brass, coated



### Connection



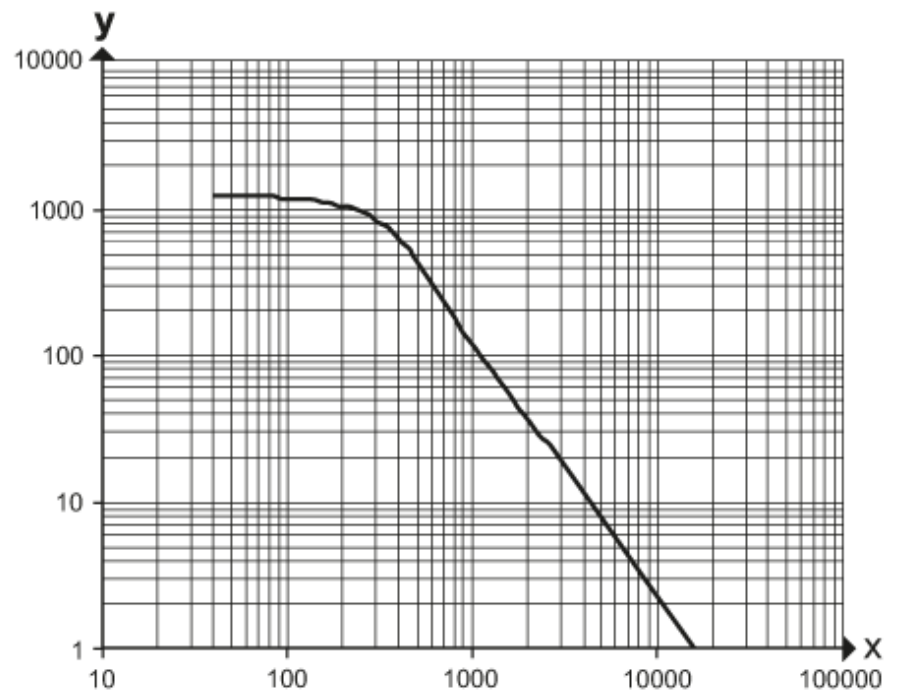


## Through-beam sensor transmitter

O6S-00KG/AS/3P

### Diagrams and graphs

excess gain graph



x: distance [mm]

y: excess gain factor