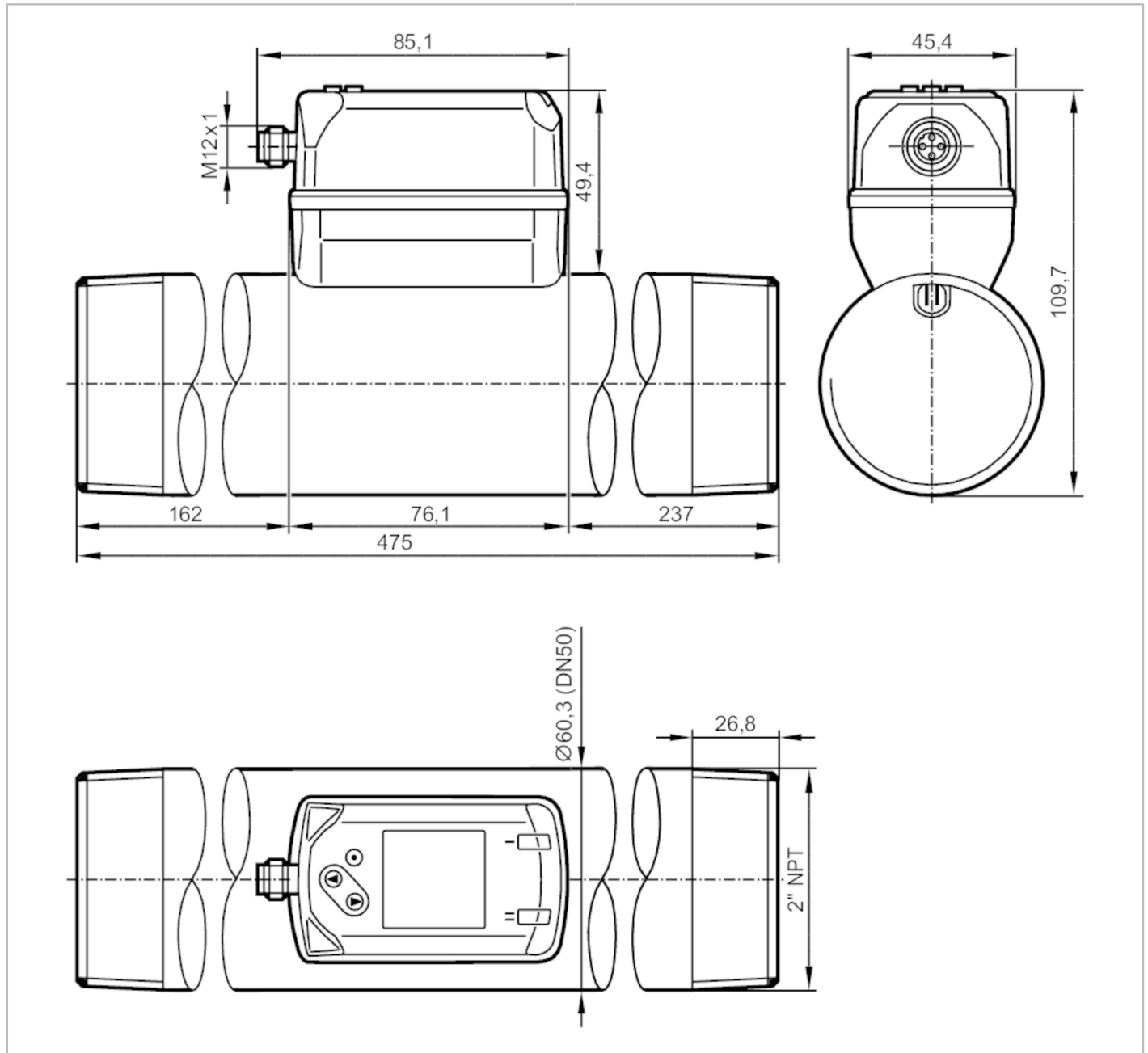


SD2501



Compressed air meter

SDN21DGXFRKG/US-100



Product characteristics

Number of inputs and outputs	Number of digital outputs: 2; Number of analogue outputs: 1		
Measuring range	80...24720 scfh	1.5...412 scfm	1...275.6 ft/s
Process connection	threaded connection 2 NPT DN50		

Application

Application	for industrial applications		
Media	compressed air		
Medium temperature [°C]	-10...60		
Min. bursting pressure [psi]	928		
Pressure rating [psi]	232		

SD2501



Compressed air meter

SDN21DGXFRKG/US-100

Electrical data				
Operating voltage	[V]	18...30 DC; (according to EN 50178 SELV/PELV)		
Current consumption	[mA]	< 80		
Protection class		III		
Reverse polarity protection		yes		
Power-on delay time	[s]	1		
Inputs / outputs				
Number of inputs and outputs		Number of digital outputs: 2; Number of analogue outputs: 1		
Inputs				
Inputs		counter reset		
Outputs				
Output signal		switching signal; analogue signal; pulse signal; IO-Link; (configurable)		
Electrical design		PNP/NPN		
Number of digital outputs		2		
Output function		normally open / normally closed; (parameterisable)		
Max. voltage drop switching output DC	[V]	2.5		
Permanent current rating of switching output DC	[mA]	150; (per output)		
Number of analogue outputs		1		
Analogue current output	[mA]	4...20; (scalable)		
Max. load	[Ω]	500		
Pulse output		consumed quantity meter		
Short-circuit protection		yes		
Type of short-circuit protection		pulsed		
Overload protection		yes		
Measuring/setting range				
Measuring range		80...24720 scfh	1.5...412 scfm	1...275.6 ft/s
Display range		0...29660 scfh	0...494.5 scfm	0...330.8 ft/s
Resolution		20 scfh	0.5 scfm	0.2 ft/s
Set point SP		210...24710 scfh	3.5...411.8 scfm	2.4...275.5 ft/s
Reset point rP		90...24590 scfh	1.5...409.8 scfm	1...274.1 ft/s
Analogue start point ASP		0...19780 scfh	0...329.6 scfm	0...220.5 ft/s
Analogue end point AEP		4940...24720 scfh	82.4...412 scfm	55.1...275.6 ft/s
Low flow cut-off LFC		70...250 scfh	1.2...4.1 scfm	0.8...2.8 ft/s
In steps of		1 scfh	0.1 scfm	0.1 ft/s

SD2501



Compressed air meter

SDN21DGXFRKG/US-100

Pressure monitoring		
Measuring range	[psi]	-15...232
Display range	[psi]	-15...290
Resolution	[psi]	1
Set point SP	[psi]	-13...232
Reset point rP	[psi]	-15...231
Analogue start point	[psi]	-15...186
Analogue end point	[psi]	32...232
In steps of	[psi]	1
Volumetric flow quantity monitoring		
Measuring range		0...100000000 m ³ 0...353146667.2 scf
Display range		0...100000000 m ³ 0...353146667.2 scf
Set point SP		0.001...10000000 m ³ 0.05...353146667.2 scf
Pulse value		0.001...10000000 m ³ 0.05...353146667.2 scf
In steps of		0.0001 m ³ 0.005 scf
Pulse length	[s]	0.002...2
Temperature monitoring		
Measuring range		-10...60 °C 14...140 °F
Display range		-24...74 °C -11.2...165.2 °F
Resolution		0.2 °C 0.5 °F
Set point SP		-9.7...60 °C 14.6...140 °F
Reset point rP		-10...59.7 °C 14...139.4 °F
Analogue start point		-10...46 °C 14...114.8 °F
Analogue end point		4...60 °C 39.2...140 °F
In steps of		0.1 °C 0.1 °F
Accuracy / deviations		
Temperature coefficient	[1/K]	± 0,07 % MW
Accuracy (in the measuring range)		class 141: ± (2 % MW + 0,5 % MEW); class 344: ± (6 % MW + 0,6 % MEW) ; air quality to ISO 8573-1:2010; at medium temperature 73 °F
Repeatability		0,8 % MW + 0,2 % MEW
Pressure monitoring		
Repeatability	[% of the final value]	± 0,2
Characteristics deviation	[% of the final value]	< ± 0,5; (BFSL = Best Fit Straight Line)
Greatest TEMPCO of the span	[% MEW / 10 K]	± 0,15
Greatest TEMPCO of the zero point	[% MEW / 10 K]	± 0,25
Temperature monitoring		
Accuracy	[K]	± 0,5; (medium flow in the limit area of the flow measurement range)
Response times		
Response time	[s]	0.1; (dAP = 0)
Damping for the switching output dAP	[s]	0...5

SD2501



Compressed air meter

SDN21DGXFRKG/US-100

Pressure monitoring		
Response time [s]	0.05	
Temperature monitoring		
Dynamic response T05 / T09 [s]	T09 = 0,5	
Software / programming		
Parameter setting options	hysteresis / window; normally open / normally closed; current/pulse output; display can be rotated and switched off; Display unit; totaliser	
Interfaces		
Communication interface	IO-Link	
Transmission type	COM2 (38,4 kBaud)	
IO-Link revision	1.1	
SDCI standard	IEC 61131-9 CDV	
IO-Link device ID	871 d / 00 03 67 h	
Profiles	Digital Measuring Sensor (0x800A), Identification and Diagnosis (0x4000)	
SIO mode	yes	
Required master port type	A	
Process data analogue	8	
Process data binary	2	
Min. process cycle time [ms]	7.2	
Operating conditions		
Ambient temperature [°F]	32...140	
Storage temperature [°F]	-4...185	
Max. relative air humidity [%]	90	
Protection	IP 65; IP 67	
Tests / approvals		
EMC	DIN EN 60947-5-9	
Vibration resistance	DIN EN 68000-2-6	
MTTF [years]	183	
UL approval	UL Approval no.	I012
	File number UL	E174189
Pressure Equipment Directive	Sound engineering practice; can be used for stable gases fluid group 2	
Mechanical data		
Weight [g]	2681.5	
Materials	PBT+PC-GF30; PPS GF40; stainless steel (1.4301 / 304); stainless steel (1.4305 / 303); steel (1.5523) galvanised; 2.0401 (brass / CW614N); FKM	
Materials (wetted parts)	stainless steel (1.4301 / 304); stainless steel (1.4305 / 303); FKM; ceramics glass passivated; PPS GF40; Al2O3 (ceramics); acrylate	
Process connection	threaded connection 2 NPT DN50	
Displays / operating elements		
Display	colour display 1,44", 128 x 128 pixels	
	2 x LED, yellow	

SD2501



Compressed air meter

SDN21DGXFRKG/US-100

Remarks	
Remarks	MW = measured value
	MEW = Final value of the measuring range
	Measuring, display and setting ranges refer to the standard volume flow according to DIN ISO 2533.
Pack quantity	1 pcs.
For information about installation and operation please see the operating instructions.	

Electrical connection

Connector: 1 x M12



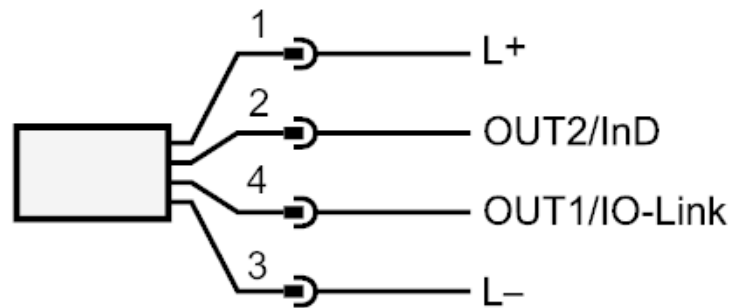
SD2501



Compressed air meter

SDN21DGXFRKG/US-100

Connection



OUT1/IO-Link: switching output flow
switching output temperature
switching output pressure
Pulse output quantity meter
signal output Preset counter

OUT2/InD: switching output flow
switching output temperature
switching output pressure
analogue output flow
analogue output temperature
analogue output pressure
signal output Preset counter
Pulse output quantity meter
input counter reset