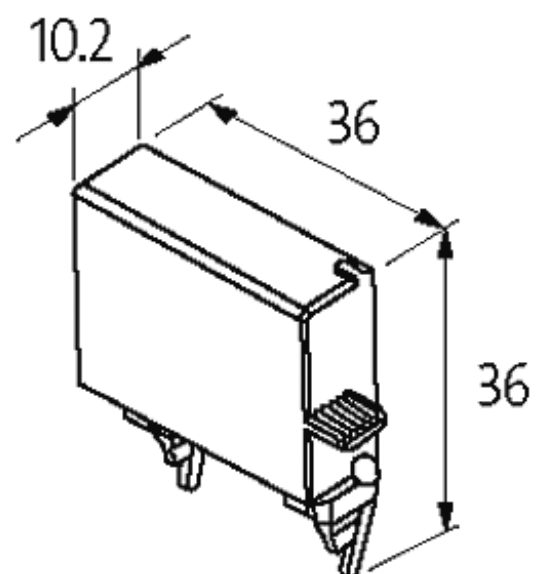


SUPPRESSOR FOR SIEMENS CONTACTOR

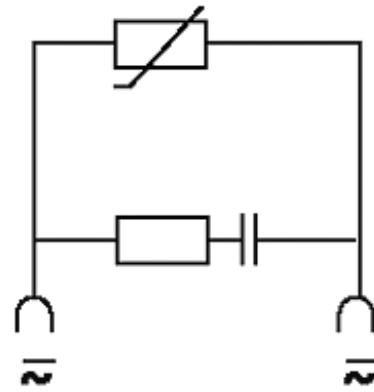
VDR+RC, 24...48 VAC/DC, 20 VA/W

24 V AC/DC
RC + Varistor

For other configurations and voltages, please inquire

[Link to Product](#)**Illustration**

stay connected



VDR-RC

Product may differ from Image

Approvals



Appropriate contactors

3 RT 1.3/1.4

Technical Data

Damping factor	approx. 1.5 × UN
Material	Flame retardant plastic acc. to (UL 94)
Connection wires	Plug contact

General data

Dimensions H × W × D	36×10.2×36 mm
Temperature range	-20...+70 °C

Commercial data

country of origin	CZ
customs tariff number	85363010
minimum order quantity	1