

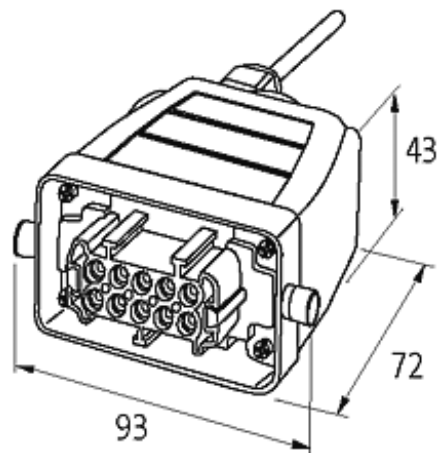
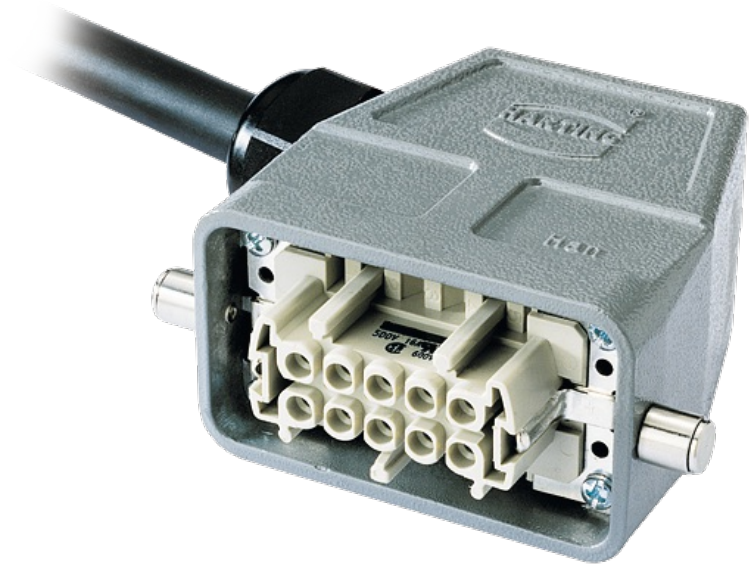
MOTOR SUPPRESSION SHIELDING PLUGGABLE

5M PUR 5,5KW-3X575

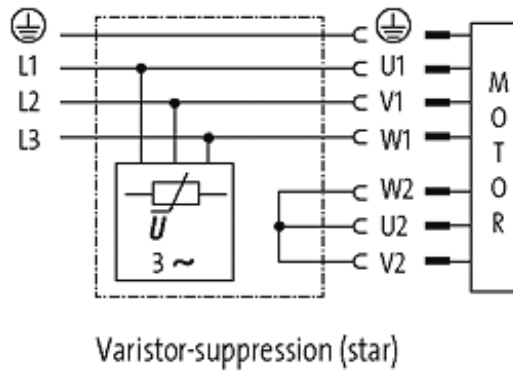
3 × 575 V AC
VDR/star
5.0 m

[Link to Product](#)

Illustration



(without compression gland)

stay connected

Product may differ from Image

Technical Data

Operating frequency	10...400 Hz
Plug connector	Females, 10-pole + PE
Housing	Aluminum die-cast (powder-coated)
Cable length	5.0 m

General data

Connection	PUR cable black, 4 × 1.5 mm ² , numbered wires, DESINA conform
Temperature range	-20...+60 °C
Dimensions H × W × D	43×93×72 mm

Commercial data

country of origin	CZ
customs tariff number	85363010
minimum order quantity	1